

2021

PRICE BOOK



B BAZOOKA • FARMSTAR

TABLE OF CONTENTS

HOSE REELS

3 PT.....	1
700.....	1
1000.....	2
1408.....	3
1810 Pivoting Tongue.....	4
2012.....	5
2416 Standard.....	6
1810 Crossfire Series.....	7
2416 Crossfire Series.....	8

HOSE

Gollmer & Hummel	9 - 10
Bazooka Farmstar Couplers, Clamps & Hardmenders.....	11
US Couplers, Clamps & Hardmenders.....	12 - 13
Principle Couplers, Clamps & Hardmenders.....	14 - 15

ACCESSORIES

Hose Hustlers.....	16
Portable Pig Launchers.....	17
Risers.....	17
Portable Loadstands.....	18
Extras : <i>Orange Balls, Foam Bullets & Hose Pinchers</i>	19

TOOLBARS

Titan Series.....	20 - 21
Titan Series 2.....	22 - 23
Standard Pull-Type.....	24 - 25
Standard Flex.....	26-27
Standard 3 PT.....	28 - 29
Dietrich.....	30
Competitor Series.....	31
Top Kick Hay Bar 30' - 50'.....	32
Top Kick Hay Bar 60'.....	33
Towable Splash Bar.....	34
Dribble Bar.....	35

HYBRID BARS

Quick Attach Series.....	36 - 37
--------------------------	---------

TANK BARS

Ground Tracker.....	38
Standard.....	39
Dietrich and Houle Disc.....	40

INJECTION UNITS

Phantom Series.....	42
Phantom Edge Series.....	43

PUMP UNITS

Infinity Series Boom Truck.....	45
Full Throttle Series.....	46 - 47
Full Throttle Series I Outlaw.....	48 - 49
Standard Booster Pump Trailers.....	50 - 51
Engines.....	52 - 53
Engine Options.....	54 - 55
Cornell Pump.....	56 - 57
Full Throttle Series Plumbing Options.....	58
Wet Kits & Force Feeders.....	59

MANURE PUMPS

Trench Pal.....	60
Pit Pal.....	60
PTO Booster Pump.....	60
Mantis Lagoon Stick.....	61

AGITATION

Wolverine Series.....	62
Riptide Series.....	63 - 64

PLEASE NOTE: Due to internal restructuring, you will notice the use of new part numbers for some existing products throughout the book. If you have any questions in this regard, please contact our Account Management Team at accounts@bazookafarmstar.com or 319.653.5080.

WARRANTY

Limited Warranty Coverage

New manufactured equipment comes standard with a 1-year limited warranty, beginning at the date the equipment was invoiced to the original purchaser of use, or from the date the equipment was first put into use. We guarantee the manufactured product to be free of material defects or workmanship issues.

In the event a failure occurs during normal operational use, Bazooka Farmstar will replace, repair, or credit the product or part at our discretion. Labor costs for the dealer and/or customer to install or assemble the replacement will be determined by Bazooka Farmstar at the time the claim is submitted.

Bazooka Farmstar has the right to inspect the customer's equipment to determine if a defect in materials or workmanship exists, as well as the labor hours required, prior to repairs made by the dealer and/or customer.

Certain products sold by Bazooka Farmstar are covered under their original manufacturer's warranty. These include but are not limited to engines and pumps.

Our dealers do not have authority to access, evaluate, or administer warranty on behalf of Bazooka Farmstar.

We do not guarantee our products to meet local municipal, state, or national laws or regulations.

This warranty does not cover used equipment or failures caused by:

- Accidents
- Alterations or modifications
- Abusive operation
- Improper repairs
- Misuse or neglected maintenance
- Use beyond original design intention (as specified in the Operation's Manual)
- Unapproved attachments or accessories
- Natural wear and tear

Submitting a Claim

Contact your Account Manager to begin the warranty process. To be considered for approval, claims on equipment must be submitted within 30 days of the date the issue occurred. DO NOT throw any product away you wish to claim warranty on, claim will be denied.

If your Account Manager informs you that parts need to be returned as part of your warranty evaluation, a Return Material Authorization (RMA)** will be sent to you and you will have 30 days to return the items.

Upon receipt of the failed replacement parts, a warranty evaluation will be performed to determine a disposition. If approved, a credit will be issued in full.

Bazooka Farmstar will send your approval or denial via email for your records.

*We understand that evaluation, especially when involving a third party, may extend past 60 days. However, if the claim is in process and the items were returned by the expected return date on the RMA, no finance charges will be assessed.

*This change is only applicable to warranty orders that require parts to be shipped when warranty coverage is not clearly approved, or the problem is not easily identified. Manufactured products containing material defects or workmanship issues, or instances where Bazooka Farmstar is undeniably at fault for the problem, will continue to be processed with no additional charges.

**Issuance of an RMA does not guarantee credit or approval of warranty coverage

B



3-POINT HOSE REEL

PART #	DESCRIPTION	LIST PRICE
609-000	3 Point Hose Reel Holds [2] 6" Hoses	\$ 13,334
609-001	3 Point Hose Reel Holds [4] 6" Hoses	\$ 17,063
609-002	3 Point Hose Reel Holds [2] 10" Hoses	\$ 17,898

700 HOSE REEL

All 700 Hose Reels come standard with the following features:

- **Used Super Singles**
- **Light Kit**
- **Direct Drive**
- **Manual Dog Clutch**
- **Fender Kits**

PART #	DESCRIPTION	LIST PRICE
608-0000	700 Hose Reel	\$ 29,254

Don't see what your customer is looking for? Call one of our Equipment Specialists to field your custom request at 319.653.5080.



1000 HOSE REEL

All 1000 Hose Reels come standard with the following features:

- [2] LED Lights
- Standard Level Wind
- Direct Drive
- Manual Dog Clutch

PART #	DESCRIPTION	LIST PRICE
1000HR	1000 [2] 10,000lb Torflex Axles [4] New Super Single Tires	\$ 38,222
1000HR-WTN	1000 Walking Tandem Axles [4] New Super Single Tires	\$ 46,508
1000HR-WTU	1000 Walking Tandem Axles [4] Used Super Single Tires	\$ 38,853
1000HR-WTNF	1000 Walking Tandem Axles [4] Wide Flotation Tires	\$ 44,788

Don't see what your customer is looking for? Call one of our Equipment Specialists to field your custom request at 319.653.5080.



1408 HOSE REEL

All 1408 Hose Reels come standard with the following features:

- Light Kit
- Standard Level Wind
- Direct Drive
- Manual Dog Clutch

PART #	DESCRIPTION	LIST PRICE
1408HR	1408 [2] 12,000 lb. Torflex Axles [2] New 12/16.5 Lt 14 Ply Tires	\$ 50,414
1408HR-HDU	1408 [2] 12,000 lb. Torflex Axles [4] Used Super Single Tires	\$ 52,703
1408HR-WTN	1408 Walking Tandem Axles [4] New Super Single Tires	\$ 54,248
1408HR-WTU	1408 Walking Tandem Axles [4] Used Super Single Tires	\$ 51,368
1408HR-WTNF	1408 Walking Tandem Axles [4] Wide Flotation Tires	\$ 57,371

Don't see what your customer is looking for? Call one of our Equipment Specialists to field your custom request at 319.653.5080.



HOSE REELS

HOSE & FITTINGS

ACCESSORIES

TOOLBARS

HYBRIDBARS

TANKBARS

INJECTION UNITS

PUMP UNITS

MANURE PUMPS

1810 HOSE REEL

All 1810 Hose Reels come standard with the following features:

- 700/50-22.5 Flotation Tires
- Combo Clevis Hitch
- Rear Receiver Hitch
- [2] LED Lights

PART #	DESCRIPTION	LIST PRICE
603-0010	1810 Hose Reel w/ Chain Drive	\$ 46,933
603-0000	1810 Hose Reel w/ Quantum Drive System	\$ 60,919

UPGRADE OPTIONS

PART #	DESCRIPTION	LIST PRICE
600-000	QDS Wireless Remote Wind, Unwind, Freewheel	\$ 3,900
600-001	QDS Wireless Remote Includes 20-1339 + Pivoting Tongue	\$ 5,668
600-002	Camera Package 2 Cameras & 7" In-Cab Monitor	\$ 1,750
600-003	Hydraulic Brakes	\$ 3,625
600-012	Pintle Hitch	\$ 373
600-015	Fenders	\$ 1,485

Don't see what your customer is looking for? Call one of our Equipment Specialists to field your custom request at 319.653.5080.



2012 HOSE REELS

All 2012 Hose Reels come standard with the following features:

- 600/50-22.5 Tires
- Combo Clevis Hitch
- Rear Receiver Hitch
- Level Wind
- [2] LED Lights

PART #	DESCRIPTION	LIST PRICE
602-0000	2012 Hose Reel Chain Drive	Call for Pricing
602-0010	2012 Hose Reel Quantum Drive System	Call for Pricing

UPGRADE OPTIONS

PART #	DESCRIPTION	LIST PRICE
600-000	QDS Wireless Remote Wind, Unwind, Freewheel	\$ 3,900
600-001	QDS Wireless Remote Includes 20-1339 + Level Wind Controls	\$ 5,668
20-1860	Swiveling Hose Guide [Spins And Locks 180°]	\$ 3,041
600-002	Camera Package 2 Cameras & 7" In-Cab Monitor	\$ 1,750
600-003	Hydraulic Brakes	\$ 3,625
600-012	Pintle Hitch	\$ 373
600-014	Bull Pull Hitch	\$ 890
600-016	Fenders	\$ 1,530

Don't see what your customer is looking for? Call one of our Equipment Specialists to field your custom request at 319.653.5080.



2416 HOSE REELS

All 2416 Hose Reels [Eclipse] come standard with the following features:

- 600/50-22.5 Flotation Tires
- Combo Clevis Hitch
- Rear Receiver Hitch
- Level Wind
- [2] LED Lights

PART #	DESCRIPTION	LIST PRICE
601-0010	2416 [Eclipse] Hose Reel Chain Drive	\$ 80,646
601-0000	2416 [Eclipse] Hose Reel Quantum Drive System	\$ 90,748

UPGRADE OPTIONS

PART #	DESCRIPTION	LIST PRICE
600-000	QDS Wireless Remote Wind, Unwind, Freewheel	\$ 3,900
600-001	QDS Wireless Remote Includes 20-1339 + Level Wind Controls	\$ 5,668
20-1860	Swiveling Hose Guide [Spins And Locks 180°]	\$ 3,041
600-002	Camera Package 2 Cameras & 7" In-Cab Monitor	\$ 1,750
600-003	Hydraulic Brakes	\$ 3,510
600-019	[4] 700/50-22.5 Flotation Tires	\$ 4,775
600-012	Pintle Hitch	\$ 373
600-014	Bull Pull Hitch	\$ 890
600-016	Fenders	\$ 1,530

Don't see what your customer is looking for? Call one of our Equipment Specialists to field your custom request at 319.653.5080.



1810 CROSSFIRE SERIES HOSE REELS

All 1810 Crossfire Series Hose Reels come standard with the following features:

- Used Super Single Tires
- Combo Clevis Hitch
- Rear Receiver Hitch
- [2] LED Lights
- Rear Steps
- Frame Incorporated Storage Basket

PART #	DESCRIPTION	LIST PRICE
605-0000	1810 Crossfire Series Hose Reel Chain Drive	\$ 59,039
605-0010	1810 Crossfire Series Hose Reel Quantum Drive System	\$ 72,706

UPGRADE OPTIONS

PART #	DESCRIPTION	LIST PRICE
600-000	QDS Wireless Remote Wind, Unwind, Freewheel	\$ 3,900
600-001	QDS Wireless Remote Includes 20-1339 + Rotating Controls	\$ 5,668
600-002	Camera Package 2 Cameras & 7" In-Cab Monitor	\$ 1,750
600-003	Hydraulic Brakes	\$ 3,625
600-004	Electric Over Hydraulic Brakes	\$ 3,510
600-012	Pintle Hitch	\$ 373
600-006	New Super Single Tires	\$ 3,240
600-007	550 Flotation Tires	\$ 4,780

Don't see what your customer is looking for? Call one of our Equipment Specialists to field your custom request at 319.653.5080.



HOSE REELS

HOSE & FITTINGS

ACCESSORIES

TOOLBARS

HYBRIDBARS

TANKBARS

INJECTION UNITS

PUMP UNITS

MANURE PUMPS

2416 CROSSFIRE SERIES HOSE REELS

All 2416 Crossfire Series Hose Reels come standard with the following features:

- 700/50-22.5 Flotation Tires
- Combo Clevis Hitch
- Rear Receiver Hitch
- [2] LED Lights
- Rear Steps
- Frame Incorporated Storage Basket

PART #	DESCRIPTION	LIST PRICE
604-0000	2416 Crossfire Series Hose Reel Chain Drive	\$ 73,948
604-0010	2416 Crossfire Series Hose Reel Quantum Drive System	\$ 91,473
604-0020	2416 Crossfire Series Hose Reel Quantum Drive System - Dual Motors	\$ 98,260

UPGRADE OPTIONS

PART #	DESCRIPTION	LIST PRICE
600-000	QDS Wireless Remote Wind, Unwind, Freewheel	\$ 3,900
600-001	QDS Wireless Remote Includes 20-1339 + Rotating Controls	\$ 5,668
600-002	Camera Package 2 Cameras & 7" In-Cab Monitor	\$ 1,750
600-003	Hydraulic Brakes	\$ 3,625
600-004	Electric Over Hydraulic Brakes	\$ 3,510
600-012	Pintle Hitch	\$ 373

Don't see what your customer is looking for? Call one of our Equipment Specialists to field your custom request at 319.653.5080.

GOLLMER & HUMMEL STANDARD DRAG HOSE

All drag hoses come standard green.

Pricing effective **May 15, 2021**.

PART #	HOSE SIZE	LENGTH	WORKING PSI	WEIGHT [LBS/FT]	WALL THICKNESS	LIST PRICE
20205	5"	660'	200	1.28	0.15"	\$ 9,118
20350	5"	990'	200	1.24	0.15"	\$ 14,223
20255	5.5"	660'	200	1.41	0.16"	\$ 10,176
20355	5.5"	990'	200	1.41	0.16"	\$ 15,875
20255-1320	5.5"	1320'	200	1.41	0.15"	\$ 21,777
20260	6"	660'	200	1.54	0.17"	\$ 10,123
20360	6"	990'	200	1.54	0.17"	\$ 15,792
20260-1320	6"	1320'	200	1.54	0.17"	\$ 21,664
20270	7.25"	660'	180	1.88	0.17"	\$ 14,927

GOLLMER & HUMMEL ELITE DRAG HOSE

All Elite drag hoses come standard neon green.

PART #	HOSE SIZE	LENGTH	WORKING PSI	WEIGHT [LBS/FT]	WALL THICKNESS	LIST PRICE
20205-HD	5"	660'	200	1.48	0.18"	\$ 9,898
20255-HD	5.5"	660'	200	1.62	0.19"	\$ 12,497
20355-HD	5.5"	990'	200	1.62	0.18"	\$ 19,496
20255-HD-1320	5.5"	1320'	200	1.62	0.18"	\$ 26,744
20260-HD	6"	660'	200	1.89	0.20"	\$ 13,524
20360-HD	6"	990'	200	1.89	0.19"	\$ 21,098
20260-HD-1320	6"	1320'	200	1.89	0.19"	\$ 28,942
20270-HD	7.25"	660'	200	2.35	0.21"	\$ 18,791
20370-HD	7.25"	990'	200	1.89	0.20"	\$ 30,160
20280-HD	8"	660'	250	2.35	0.18"	\$ 20,296

Don't see what your customer is looking for? Call one of our Equipment Specialists to field your custom request at 319.653.5080.



HOSE REELS

HOSE & FITTINGS

ACCESSORIES

TOOLBARS

HYBRIDBARS

TANKBARS

INJECTION UNITS

PUMP UNITS

MANURE PUMPS

GOLLMER & HUMMEL ELITE SUPPLY HOSE | RUBBER

Pricing effective **May 15, 2021**

PART #	HOSE SIZE	LENGTH	WORKING PSI	WEIGHT [LBSIFT]	WALL THICKNESS	LIST PRICE
20025	6"	660'	250	1.41	0.16"	\$ 7,487
20217	7.25"	660'	250	1.95	0.19"	\$ 9,974
20028	8"	660'	250	2.55	0.21"	\$ 13,984

GOLLMER & HUMMEL SUPPLY HOSE | TPU

Pricing effective **May 15, 2021**

PART #	HOSE SIZE	LENGTH	WORKING PSI	WEIGHT [LBSIFT]	WALL THICKNESS	LIST PRICE
20206	6"	660'	250	1.28	0.15"	\$ 7,093
20207	7.25"	660'	250	1.68	0.17"	\$ 11,192
20208	8"	660'	250	2.02	0.18"	\$ 10,849
20210	10"	660'	200	2.76	0.21"	\$ 14,263
20212	12"	660'	200	3.43	0.22"	\$ 16,884

Don't see what your customer is looking for? Call one of our Equipment Specialists to field your custom request at 319.653.5080.

BAZOOKA FARMSTAR COUPLERS

All couplers include the following:

- Body
- Sleeve
- Locking Segments
- Gasket
- Add M to end of part number for Machined Clamp
- Add H to end of part number for Hose Saver Clamp

COUPLERS

PART #	DESCRIPTION	LIST PRICE W/ STANDARD CLAMP	LIST PRICE W/ MACHINED CLAP	LIST PRICE W/ HOSE SAVER CLAMP
COUPLER8-BI	8" Coupler Bolt In Locking Segments	\$ 825	\$ 867	\$ 900
COUPLER8-BT	8" Coupler Bolt Thru Locking Segments	\$ 825	\$ 867	\$ 900
COUPLER10-BI	10" Coupler Bolt In Locking Segments	\$ 1,250	\$ 1,269	\$ 1,320
COUPLER10-BT	10" Coupler Bolt Thru Locking Segments	\$ 1,250	\$ 1,269	\$ 1,320

CLAMPS

PART #	DESCRIPTION	LIST PRICE
CLAMP8-SD	8" Standard Clamp	\$ 43
CLAMP10-SD	10" Standard Clamp	\$ 114
CLAMP8-MC	8" Machined Clamp	\$ 85
CLAMP10-MC	10" Machined Clamp	\$ 114
CLAMP8-HS	8" Hose Saver Clamp	\$ 118
CLAMP10-HS	10" Hose Saver Clamp	\$ 165

BAZOOKA FARMSTAR HARDMENDERS

All hardmenders include the following:

- Body
- Locking Segments

COMPLETE HARDMENDER SETS

PART #	DESCRIPTION	LIST PRICE
MENDER8-BI	8" Hardmender Bolt In Locking Segments	\$ 420
MENDER8-BT	8" Hardmender Bolt Thru Locking Segments	\$ 420
MENDER10-BI	10" Hardmender Bolt In Locking Segments	\$ 675
MENDER10-BT	10" Hardmender Bolt Thru Locking Segments	\$ 675

Don't see what your customer is looking for? Call one of our Equipment Specialists to field your custom request at 319.653.5080.



HOSE REELS

HOSE & FITTINGS

ACCESSORIES

TOOLBARS

HYBRIDBARS

TANKBARS

INJECTION UNITS

PUMP UNITS

MANURE PUMPS

US COUPLERS

All couplers include the following:

- Body
- Sleeve
- Locking Segments
- Gasket
- Add M to end of part number for Machined Clamp
- Add H to end of part number for Hose Saver Clamp

COUPLERS

PART #	DESCRIPTION		LIST PRICE W/ STANDARD CLAMP	LIST PRICE W/ HOSE SAVER CLAMP
COUPLER4-BIU	4" US Coupler	Bolt In Locking Segments	\$ 720	\$ 784
COUPLER4-BTU	4" US Coupler	Bolt Thru Locking Segments	\$ 720	\$ 784
COUPLER4.5-BIU	4.5" US Coupler	Bolt In Locking Segments	\$ 720	\$ 784
COUPLER4.5-BTU	4.5" US Coupler	Bolt Thru Locking Segments	\$ 720	\$ 784
COUPLER5-BIU	5" US Coupler	Bolt In Locking Segments	\$ 702	\$ 766
COUPLER5-BTU	5" US Coupler	Bolt Thru Locking Segments	\$ 702	\$ 766
COUPLER5.5-BIU	5.5" US Coupler	Bolt In Locking Segments	\$ 702	\$ 766
COUPLER5.5-BTU	5.5" US Coupler	Bolt Thru Locking Segments	\$ 702	\$ 766
COUPLER6-BIU	6" US Coupler	Bolt In Locking Segments	\$ 570	\$ 634
COUPLER6-BTU	6" US Coupler	Bolt Thru Locking Segments	\$ 570	\$ 634
COUPLER7.25-BIU	7.25" US Coupler	Bolt In Locking Segments	\$ 991	NA
COUPLER7.25-BTU	7.25" US Coupler	Bolt Thru Locking Segments	\$ 991	NA
COUPLER8-BIU	8" US Coupler	Bolt In Locking Segments	\$ 891	NA
COUPLER8-BTU	8" US Coupler	Bolt Thru Locking Segments	\$ 891	NA
COUPLER10-BIU	10" US Coupler	Bolt In Locking Segments	\$ 1,421	\$ 1,482
COUPLER10-BTU	10" US Coupler	Bolt Thru Locking Segments	\$ 1,421	\$ 1,482
COUPLER12-BIU	12" US Coupler	Bolt In Locking Segments	CALL FOR PRICING	
COUPLER12-BTU	12" US Coupler	Bolt Thru Locking Segments	CALL FOR PRICING	

Don't see what your customer is looking for? Call one of our Equipment Specialists to field your custom request at 319.653.5080.

CLAMPS

PART #	DESCRIPTION	LIST PRICE
CLAMP6-SDU	6" US Standard Clamp	\$ 60
CLAMP8-SDU	8" US Standard Clamp	\$ 66
CLAMP10-SDU	10" US Standard Clamp	\$ 94
CLAMP12-SDU	12" US Standard Clamp	CALL FOR PRICING
CLAMP6-HS	6" US Hose Saver Clamp	\$ 124
CLAMP10-HSU	10" US Hose Saver Clamp	\$ 155
CLAMP12-HSU	12" US Hose Saver Clamp	CALL FOR PRICING

US HARDMENDERS

All hardmenders include the following:

- Body
- Locking Segments

COMPLETE HARDMENDER SETS

PART #	DESCRIPTION	LIST PRICE
MENDER4-BIU	4" US Hardmender Bolt In Locking Segments	\$ 260
MENDER4-BTU	4" US Hardmender Bolt Thru Locking Segments	\$ 260
MENDER45-BIU	4.5" US Hardmender Bolt In Locking Segments	\$ 295
MENDER45-BTU	4.5" US Hardmender Bolt Thru Locking Segments	\$ 295
MENDER5-BIU	5" US Hardmender Bolt In Locking Segments	\$ 295
MENDER5-BTU	5" US Hardmender Bolt Thru Locking Segments	\$ 295
MENDER55-BIU	5.5" US Hardmender Bolt In Locking Segments	\$ 295
MENDER55-BTU	5.5" US Hardmender Bolt Thru Locking Segments	\$ 295
MENDER6-BIU	6" US Hardmender Bolt In Locking Segments	\$ 300
MENDER6-BTU	6" US Hardmender Bolt Thru Locking Segments	\$ 300
MENDER725-BIU	7.25" US Hardmender Bolt In Locking Segments	\$ 450
MENDER725-BTU	7.25" US Hardmender Bolt Thru Locking Segments	\$ 450
MENDER8-BIU	8" US Hardmender Bolt In Locking Segments	\$ 420
MENDER-8BTU	8" US Hardmender Bolt Thru Locking Segments	\$ 420
MENDER10-BIU	10" US Hardmender Bolt In Locking Segments	\$ 675
MENDER10-BTU	10" US Hardmender Bolt Thru Locking Segments	\$ 675

Don't see what your customer is looking for? Call one of our Equipment Specialists to field your custom request at 319.653.5080.



PRINCIPLE COUPLERS

All couplers include the following:

- Body
- Sleeve
- Locking Segments
- Gasket
- Add M to end of part number for Machined Clamp
- Add H to end of part number for Hose Saver Clamp

COUPLERS

PART #	DESCRIPTION	LIST PRICE W/ STANDARD CLAMP	LIST PRICE W/ MACHINED CLAP	LIST PRICE W/ HOSE SAVER CLAMP
COUPLER4-BIP	4" Principle Coupler Bolt In Locking Segments			CALL FOR PRICING
COUPLER4-BTP	4" Principle Coupler Bolt Thru Locking Segments			CALL FOR PRICING
COUPLER45-BIP	4.5" Principle Coupler Bolt In Locking Segments			CALL FOR PRICING
COUPLER45-BTP	4.5" Principle Coupler Bolt Thru Locking Segments			CALL FOR PRICING
COUPLER5-BIP	5" Principle Coupler Bolt In Locking Segments			CALL FOR PRICING
COUPLER5-BTP	5" Principle Coupler Bolt Thru Locking Segments			CALL FOR PRICING
COUPLER55-BIP	5.5" Principle Coupler Bolt In Locking Segments			CALL FOR PRICING
COUPLER55-BTP	5.5" Principle Coupler Bolt Thru Locking Segments			CALL FOR PRICING
COUPLER6-BIP	6" Principle Coupler Bolt In Locking Segments			CALL FOR PRICING
COUPLER6-BTP	6" Principle Coupler Bolt Thru Locking Segments			CALL FOR PRICING
COUPLER725-BIP	7.25" Principle Coupler Bolt In Locking Segments			CALL FOR PRICING
COUPLER725-BTP	7.25" Principle Coupler Bolt Thru Locking Segments			CALL FOR PRICING
COUPLER8-BIP	8" Principle Coupler Bolt In Locking Segments			CALL FOR PRICING
COUPLER8-BTP	8" Principle Coupler Bolt Thru Locking Segments			CALL FOR PRICING
COUPLER10-BIP	10" Principle Coupler Bolt In Locking Segments			CALL FOR PRICING
COUPLER10-BTP	10" Principle Coupler Bolt Thru Locking Segments			CALL FOR PRICING
COUPLER12-BIP	12" Principle Coupler Bolt In Locking Segments			CALL FOR PRICING
COUPLER12-BTP	12" Principle Coupler Bolt Thru Locking Segments			CALL FOR PRICING

Don't see what your customer is looking for? Call one of our Equipment Specialists to field your custom request at 319.653.5080.

CLAMPS

PART #	DESCRIPTION	LIST PRICE
CLAMP6-SD	6" Standard Clamp	\$ 36
CLAMP8-SD	8" Standard Clamp	\$ 43
CLAMP10-SD	10" Standard Clamp	\$ 95
CLAMP12-SD	12" Standard Clamp	Call for Pricing
CLAMP6-MC	6" Machined Clamp	\$ 66
CLAMP8-MC	8" Machined Clamp	\$ 85
CLAMP10-MC	10" Machined Clamp	\$ 114
CLAMP12-MC	12" Machined Clamp	Call for Pricing
CLAMP6-HS	6" Hose Saver Clamp	\$ 124
CLAMP8-HS	8" Hose Saver Clamp	\$ 118
CLAMP10-HS	10" Hose Saver Clamp	\$ 165
CLAMP12-HS	12" Hose Saver Clamp	Call for Pricing

PRINCIPLE HARDMENDERS

All hardmenders include the following:

- Body
- Locking Segments

COMPLETE HARDMENDER SETS

PART #	DESCRIPTION	LIST PRICE
MENDER4-BIP	4" Principle Hardmender Bolt In Locking Segments	\$ 295
MENDER4-BTP	4" Principle Hardmender Bolt Thru Locking Segments	\$ 295
MENDER4.5-BIP	4.5" Principle Hardmender Bolt In Locking Segments	\$ 335
MENDER4.5-BTP	4.5" Principle Hardmender Bolt Thru Locking Segments	\$ 335
MENDER5-BIP	5" Principle Hardmender Bolt In Locking Segments	\$ 335
MENDER5-BTP	5" Principle Hardmender Bolt Thru Locking Segments	\$ 335
MENDER5.5-BIP	5.5" Principle Hardmender Bolt In Locking Segments	\$ 335
MENDER5.5-BTP	5.5" Principle Hardmender Bolt Thru Locking Segments	\$ 335
MENDER6-BIP	6" Principle Hardmender Bolt In Locking Segments	\$ 341
MENDER6-BTP	6" Principle Hardmender Bolt Thru Locking Segments	\$ 341
MENDER7.25-BIP	7.25" Principle Hardmender Bolt In Locking Segments	\$ 511
MENDER7.25-BTP	7.25" Principle Hardmender Bolt Thru Locking Segments	\$ 511
MENDER8-BIP	8" Principle Hardmender Bolt In Locking Segments	\$ 477
MENDER8-BTP	8" Principle Hardmender Bolt Thru Locking Segments	\$ 477
MENDER10-BIP	10" Principle Hardmender Bolt In Locking Segments	\$ 852
MENDER10-BTP	10" Principle Hardmender Bolt Thru Locking Segments	\$ 852



HOSE HUSTLER SERIES

All Hose Hustler Models come standard with the following features:

- 3 Pt. Hitch
- Hydraulic Brake
- 3/8" Thick 4x6 Tube Arms
- 1/2" Top and Bottom Plate Reinforcements

PART #	DESCRIPTION	LIST PRICE
702-000	6" - 8" Hose Hustler	\$ 12,326
702-001	8" - 10" Hose Hustler	\$ 13,873
702-002	10" - 12" Hose Hustler	\$ 15,479

HOSE HUSTLER SIDE SHIFT SERIES

All Hose Hustler Side Shift Models come standard with the following features:

- Side Shift Technology
- 3 Pt. Hitch
- Hydraulic Brake
- 3/8" Thick 5x5 Tube Arms
- 1/2" Side Plate Reinforcements

PART #	DESCRIPTION	LIST PRICE
701-000	6" - 8" Hose Hustler with Side Shift	\$ 17,142
701-001	8" - 10" Hose Hustler with Side Shift	\$ 18,689
701-002	10" - 12" Hose Hustler with Side Shift	\$ 20,294

Don't see what your customer is looking for? Call one of our Equipment Specialists to field your custom request at 319.653.5080.

PORTABLE PIG LAUNCHERS

All portable pig launchers come standard with the following features:

- Pressure Gauge
- Diaphragm
- Two Main Shut-Off Valves
- Two 4.8 x 4 Ply Tires

PART #	DESCRIPTION	LIST PRICE
99000	6" Portable Pig Launcher	\$ 5,408
99008	8" Portable Pig Launcher	\$ 7,468
99010	10" Portable Pig Launcher	\$ 12,618

RISERS

PART #	DESCRIPTION	LIST PRICE
20-2910	10" Male x 8" Male 90 Deg Elbow	\$ 820
20-2911	10" Male x 10" Male 90 Deg Elbow	\$ 899
20-2912	10" Female x Male 90 Deg Elbow	\$ 891
20-2913	10" Male x 10" Female	\$ 969
20-2914	SS Riser 10" IPS x 10" Male HSG	\$ 2,602
20-2915	SS Riser 10" IPS x Female HSG	\$ 2,602
20-2916	SS Riser 12" IPS x 10" Male HSG	\$ 2,932
20-2917	SS Riser 12" IPS x 10" Female HSG	\$ 3,266
20-2918	10" Male x 10" Female 180 Deg Elbow	\$ 1,246
20-3175	SS Riser 8" IPS x 8" Male	\$ 1,965
20-3176	SS Riser 8" IPS x 8" Female	\$ 2,021
20-3177	8" Male x 8" Male 90 Deg Elbow	\$ 592
20-3178	8" Male x 8" Female 90 Deg Elbow	\$ 720
20-3179	8" Male x 8" Female 180 Deg Elbow	\$ 902

Don't see what your customer is looking for? Call one of our Equipment Specialists to field your custom request at 319.653.5080.



PORTABLE LOADSTANDS

PART #	DESCRIPTION	LIST PRICE
8009	8"x8"x35' Loadstand 4 Bolt Flange	\$ 3,243
20010	10"x10"x35' Loadstand 4 Bolt Flange	\$ 3,982

UPGRADE OPTIONS

PART #	DESCRIPTION	LIST PRICE
8009-BR	8" Loadstand Kit 4 Bolt Flange 6" Ball and Ring	\$ 69
20010-BR	10" Loadstand Kit 4 Bolt Flange 8" Ball and Ring	\$ 156
8009-NT	New Tires Set of 2	\$ 178
20010F	10" Carriage Assy [Less Tube & Trunk]	\$ 2,589
20012F	12" Carriage Assy [Less Tube & Trunk]	\$ 2,839

Don't see what your customer is looking for? Call one of our Equipment Specialists to field your custom request at 319.653.5080.

HOSE REELS

HOSE & FITTINGS

ACCESSORIES

TOOLBARS

HYBRIDBARS

TANKBARS

INJECTION UNITS

PUMP UNITS

MANURE PUMPS

EXTRAS

PART #	DESCRIPTION	LIST PRICE
80846	6" Orange Ball Actual Size: 6.89"	\$ 54
80847	7.25" Orange Ball Actual Size: 7.87"	\$ 70
80848	8" Orange Ball Actual Size: 9.06"	\$ 135
80849	10" Orange Ball Actual Size: 10.04"	\$ 308
80952	12" Orange Ball Actual Size: 12.01"	\$ 775

PART #	DESCRIPTION	LIST PRICE
80804	6" Foam Bullet Package of 18	\$ 324
80804S	6" Foam Bullet Single	\$ 20
80725	7.25" Foam Bullet Package of 18	\$ 324
80725S	7.25" Foam Bullet Single	\$ 20
80800	8" Foam Bullet Package of 18	\$ 389
80800S	8" Foam Bullet Single	\$ 24
80780	10" Foam Bullet Package of 10	\$ 306
80780S	10" Foam Bullet Single	\$ 34
80790	12" Foam Bullet Package of 8	\$ 396
80790S	12" Foam Bullet Single	\$ 55

PART #	DESCRIPTION	LIST PRICE
80870	6" Hose Pincher	\$ 355
80875	8-10" Hose Pincher	\$ 732
80876	12" Hose Pincher	\$ 953

Don't see what your customer is looking for? Call one of our Equipment Specialists to field your custom request at 319.653.5080.



TITAN SERIES TOOLBARS

All Titan Series Toolbars come standard with the following features:

- 6" Flux Manifold
- Spring Loaded Manifold Lift Assist Handle
- 6" Krohne Flowmeter and Flowmeter Cables
- 6" Swing Arm with Sweeping 90° Elbows
- Double Pivot w/ 6" Hose Swivel for 6" Swing Arm
- 2.5" Bumblebee Drop Tube Hose
- 16 Ply Center Section Flotation Tires
- 14 Ply Wing Gauge Wheel Tires
- Pig and Main Indicator Lights
- Hydraulic Remote Transmitter
- Stainless Steel Knife Gate Valves
- DOT Lighting
- Bull Pull Hitch
- Phantom Units on 6° Mounting Plates

PART #	DESCRIPTION	LIST PRICE
16" SPACING		
101-0000	37 FT 28 Units 16" Spacing	\$ 225,832
101-0010	40 FT 30 Units 16" Spacing	\$ 232,290
18" SPACING		
101-0020	36 FT 24 Units 18" Spacing	\$ 207,370
101-0030	39 FT 26 Units 18" Spacing	\$ 221,368
101-0040	42 FT 28 Units 18" Spacing	\$ 235,295
101-0050	45 FT 30 Units 18" Spacing	\$ 246,980
20" SPACING		
101-0060	36 FT 22 Units 20" Spacing	\$ 201,099
101-0070	40 FT 24 Units 20" Spacing	\$ 216,187
101-0080	44 FT 26 Units 20" Spacing	\$ 227,722
101-0090	46 FT 28 Units 20" Spacing	\$ 241,219
24" SPACING		
101-0100	36 FT 18 Units 24" Spacing	\$ 191,044
101-0110	40 FT 20 Units 24" Spacing	\$ 202,462
101-0120	48 FT 24 Units 24" Spacing	\$ 226,615
30" SPACING		
101-0130	45 FT 18 Units 30" Spacing	\$ 205,691

Don't see what your customer is looking for? Call one of our Equipment Specialists to field your custom request at 319.653.5080.

HOSE REELS

HOSE & FITTINGS

ACCESSORIES

TOOLBARS

HYBRIDBARS

TANKBARS

INJECTION UNITS

PUMP UNITS

MANURE PUMPS

TITAN SERIES TOOLBARS UPGRADE OPTIONS

PART #	DESCRIPTION	LIST PRICE
100-088	6" HP Package Wing Gauge Wheel Flotation Tires, Automatic Grease System, LED Tower Work Lights, Manifold Clog Indicator Light	\$ 12,986
HP-8	8" HP Package Wing Gauge Wheel Flotation Tires, Automatic Grease System, LED Tower Work Lights, Manifold Clog Indicator Light, 8" Swing Arm, Plumbing, Krohne Flowmeter and a 6" Hose Swivel for an 8" Swing Arm	\$ 21,786
20-1384A	8" Upgrade 8" Swing Arm, Plumbing, 8" Krohne Flowmeter and a 6" Hose Swivel for an 8" Swing Arm	\$ 13,495
20-2744A	8" Hose Swivel for 8" Swing Arm Adder	\$ 2,889
20-2949-KIT	JD Harvest Lab 3000 Swing Arm Mount Extension 6"	\$ 2,032
20-2959-KIT	JD Harvest Lab 3000 Swing Arm Mount Extension 8"	\$ 2,966
100-000	Automatic Grease System	\$ 11,042
100-003	Manifold Clog Indicator Light	\$ 1,462
100-004	LED Tower Work Lights	\$ 1,462
100-001	Wing Gauge Wheel Flotation Tires	\$ 1,418
T80077A	3" Bumblebee Drop Tube Hose Per Unit	\$ 196
PHANTOM-HR-A	6° Phantom Edge Series Units Per Unit	\$ 234

Don't see what your customer is looking for? Call one of our Equipment Specialists to field your custom request at 319.653.5080.



TITAN SERIES 2 TOOLBARS

All Titan 2 Toolbars come standard with the following features:

- 8" Flux Manifold
- Spring Loaded Manifold Lift Assist Handle
- Manifold Indicator Light
- 8" Krohne Flowmeter and Flowmeter Cables
- 8" Swing Arm with Sweeping 90° Elbows
- Double Pivot w/ 6" Hose Swivel for 8" Swing Arm
- 3" Bumblebee Drop Tube Hose
- 700 Series - 165D Center Section Flotation Tires
- 550 16 Ply Wing Gauge Wheel Flotation Tires
- Pig and Main Indicator Lights
- Manifold Clog Indicator Light
- Hydraulic Remote Transmitter
- Stainless Steel Knife Gate Valves
- DOT Lighting
- Bull Pull Hitch
- Phantom Units on 6° Mounting Plates
- Automatic Grease System
- LED Tower work lights

PART #	DESCRIPTION	LIST PRICE
16" SPACING		
102-0000	40 FT 30 Units 16" Spacing	\$ 289,549
102-0010	42 FT 32 Units 16" Spacing	\$ 301,921
	45 FT 34 Units 16" Spacing	\$ 311,588
18" SPACING		
102-0030	39 FT 26 Units 18" Spacing	\$ 278,728
102-0040	42 FT 28 Units 18" Spacing	\$ 293,661
102-0050	45 FT 30 Units 18" Spacing	\$ 304,807
102-0060	51 FT 34 Units 18" Spacing	\$ 320,606
20" SPACING		
102-0070	40 FT 24 Units 20" Spacing	\$ 273,318
102-0080	44 FT 26 Units 20" Spacing	\$ 289,730
102-0090	47 FT 28 Units 20" Spacing	\$ 296,672
102-0100	50 FT 30 Units 20" Spacing	\$ 309,569
24" SPACING		
102-0110	40 FT 20 Units 24" Spacing	\$ 262,497
102-0120	48 FT 24 Units 24" Spacing	\$ 285,546
102-0130	52 FT 26 Units 24" Spacing	\$ 298,423
102-0140	60 FT 30 Units 24" Spacing	\$ 323,095
30" SPACING		
102-0150	45 FT 18 Units 30" Spacing	\$ 271,154
102-0160	50 FT 20 Units 30" Spacing	\$ 274,399
102-0170	60 FT 24 Units 30" Spacing	\$ 306,863

Don't see what your customer is looking for? Call one of our Equipment Specialists to field your custom request at 319.653.5080.

HOSE REELS

HOSE & FITTINGS

ACCESSORIES

TOOLBARS

HYBRIDBARS

TANKBARS

INJECTION UNITS

PUMP UNITS

MANURE PUMPS

TITAN SERIES 2 TOOLBARS UPGRADE OPTIONS

PART #	DESCRIPTION	LIST PRICE
20-2744A	8" Hose Swivel for 8" Swing Arm	\$ 2,889
20-2949-KIT	JD Harvest Lab 3000 Swing Arm Mount Extension 6"	\$ 2,032
20-2959-KIT	JD Harvest Lab 3000 Swing Arm Mount Extension 8"	\$ 2,966
PHANTOM-HR-A	6° Phantom Edge Series Units Per Unit	\$ 234

DEDUCT OPTIONS

PART #	DESCRIPTION	LIST PRICE
T2-8TO6	8" Plumbing to 6" Swing Arm	\$ [1,400]
T2-80082D	3" Bumblebee to 2.5" Bumblebee Per Unit	\$ [61]

Don't see what your customer is looking for? Call one of our Equipment Specialists to field your custom request at 319.653.5080.



HOSE REELS

HOSE & FITTINGS

ACCESSORIES

TOOLBARS

HYBRIDBARS

TANKBARS

INJECTION UNITS

PUMP UNITS

MANURE PUMPS

STANDARD PULL-TYPE TOOLBARS

All Standard Pull Type Toolbars come standard with the following features:

- 6" Flux Manifold
- 6" Swing Arm with Sweeping 90° Elbows
- 6" Krohne Flowmeter and Flowmeter Cables
- Double Pivot w/ 6" Hose Swivel for 6" Swing Arm
- 2.5" Bumblebee Drop Tube Hose
- DOT Lighting
- Stainless Steel Knife Gate Valves
- Phantom Units on 6° Mounting Plates
- Pig and Main Indicator Lights

PART #	DESCRIPTION	LIST PRICE
16" SPACING		
103-0000	26 FT 20 Units 16" Spacing	\$ 161,101
103-0010	30 FT 22 Units 16" Spacing	\$ 167,719
18" SPACING		
103-0020	28 FT 18 Units 18" Spacing	\$ 154,879
103-0030	33 FT 22 Units 18" Spacing	\$ 166,235
20" SPACING		
103-0040	26 FT 16 Units 20" Spacing	\$ 149,455
103-0050	33 FT 20 Units 20" Spacing	\$ 166,204
24" SPACING		
103-0060	28 FT 14 Units 24" Spacing	\$ 141,693
103-0070	32 FT 16 Units 24" Spacing	\$ 154,047
103-0080	36 FT 18 Units 24" Spacing	\$ 162,451
30" SPACING		
103-0090	30 FT 12 Units 30" Spacing	\$ 137,890
103-0100	35 FT 14 Units 30" Spacing	\$ 147,868

Don't see what your customer is looking for? Call one of our Equipment Specialists to field your custom request at 319.653.5080.



UPGRADE OPTIONS

PART #	DESCRIPTION	LIST PRICE
100-029	6" HP Package Manifold Clog Indicator Light, Center Section Flotation Tires [4], Automatic Grease System	\$ 12,986
HP-8-BP	8" HP Package Manifold Clog Indicator Light, Center Section Flotation Tires [4], Automatic Grease System, 8" Swing Arm, Plumbing, 8" Krohne Flowmeter and 6" Hose Swivel for 8" Swing Arm	\$ 21,786
20-2631A	8" Upgrade 8" Swing Arm, Plumbing, 8" Krohne Flowmeter and a 6" Hose Swivel for an 8" Swing Arm	\$ 12,845
20-2744A	8" Hose Swivel for 8" Swing Arm Adder	\$ 2,889
100-000	Automatic Grease System	\$ 11,042
100-003	Manifold Clog Indicator Light	\$ 1,462
100-032	Center Section Flotation Tires [4]	\$ 2,700
100-103	Wing Gauge Wheels [2]	\$ 6,873
T80077A	3" Bumblebee Drop Tube Hose Per Unit	\$ 196
PHANTOM-HR-A	6° Phantom Edge Series Units Per Unit	\$ 234

Don't see what your customer is looking for? Call one of our Equipment Specialists to field your custom request at 319.653.5080.



STANDARD FLEX TOOLBARS

All Standard Flex Toolbars come standard with the following features:

- 6" Flux Manifold
- 6" Swing Arm with Sweeping 90° Elbows
- 6" Krohne Flowmeter and Flowmeter Cables
- Double Pivot w/ 6" Hose Swivel for 6" Swing Arm
- 2.5" Bumblebee Drop Tube Hose
- DOT Lighting
- Stainless Steel Knife Gate Valves
- Phantom Units on 6° Mounting Plates
- Pig and Main Indicator Lights

PART #	DESCRIPTION	LIST PRICE
16" SPACING		
105-0000	26 FT 20 Units 16" Spacing	\$ 171,351
105-0010	30 FT 22 Units 16" Spacing	\$ 177,969
18" SPACING		
105-0020	28 FT 18 Units 18" Spacing	\$ 165,129
105-0030	33 FT 22 Units 18" Spacing	\$ 176,485
20" SPACING		
105-0040	26 FT 16 Units 20" Spacing	\$ 159,705
105-0050	33 FT 20 Units 20" Spacing	\$ 176,454
24" SPACING		
105-0060	28 FT 14 Units 24" Spacing	\$ 151,943
105-0070	32 FT 16 Units 24" Spacing	\$ 164,297
105-0080	36 FT 18 Units 24" Spacing	\$ 172,702
30" SPACING		
105-0090	30 FT 12 Units 30" Spacing	\$ 148,140
105-0100	35 FT 14 Units 30" Spacing	\$ 158,118

Don't see what your customer is looking for? Call one of our Equipment Specialists to field your custom request at 319.653.5080.

HOSE REELS

HOSE & FITTINGS

ACCESSORIES

TOOLBARS

HYBRIDBARS

TANKBARS

INJECTION UNITS

PUMP UNITS

MANURE PUMPS



UPGRADE OPTIONS

PART #	DESCRIPTION	LIST PRICE
100-029	HP Package Manifold Clog Indicator Light, Center Section Flotation Tires [4], Automatic Grease System	\$ 12,986
100-031	8" Upgrade 8" Swing Arm, Plumbing, 8" Krohne Flowmeter and a 6" Hose Swivel for an 8" Swing Arm	\$ 13,495
100-007	8" Hose Swivel for 8" Swing Arm	\$ 2,889
100-000	Automatic Grease System	\$ 11,042
100-003	Manifold Clog Indicator Light	\$ 1,462
100-032	Center Section Flotation Tires [4]	\$ 2,700
100-030	3" Bumblebee Drop Tube Hose Per Unit	\$ 196
203-000	Phantom Edge Series Units Per Unit	\$ 224

Don't see what your customer is looking for? Call one of our Equipment Specialists to field your custom request at 319.653.5080.



STANDARD 3-POINT TOOLBARS

All Standard 3-Point Toolbars come standard with the following features:

- 6" Flux Manifold
- 6" Swing Arm with Sweeping 90° Elbows
- 6" Krohne Flowmeter and Flowmeter Cables
- Double Pivot w/ 6" Hose Swivel for 6" Swing Arm
- 2.5" Bumblebee Drop Tube Hose
- DOT Lighting
- Stainless Steel Knife Gate Valves
- Phantom Units on 6° Mounting Plates
- Pig and Main Indicator Lights

PART #	DESCRIPTION			LIST PRICE
16" SPACING				
104-0050	26 FT	20 Units	16" Spacing	\$ 118,165
18" SPACING				
104-0000	28 FT	18 Units	18" Spacing	\$ 114,602
20" SPACING				
104-0040	24 FT	14 Units	20" Spacing	\$ 100,061
24" SPACING				
104-0010	24 FT	12 Units	24" Spacing	\$ 95,307
104-0020	36 FT	18 Units	24" Spacing	\$ 118,040
30" SPACING				
104-0030	30 FT	11 Units	30" Spacing	\$ 94,799

UPGRADE OPTIONS

PART #	DESCRIPTION	LIST PRICE
701392	Automatic Grease System	\$ 11,042
20-2908	Manifold Clog Indicator Light	\$ 1,462
T80077A	3" Bumblebee Drop Tube Hose Per Unit	\$ 193
PHANTOM-HR-A	6° Phantom Edge Series Units Per Unit	\$ 234

DEDUCT OPTION

PART #	DESCRIPTION	LIST PRICE
20-1534D	Swing Arm, Tower, T-Tube, Plumbing and Manifold	\$ [21,055]

Don't see what your customer is looking for? Call one of our Equipment Specialists to field your custom request at 319.653.5080.

HOSE REELS

HOSE & FITTINGS

ACCESSORIES

TOOLBARS

HYBRIDBARS

TANKBARS

INJECTION UNITS

PUMP UNITS

MANURE PUMPS



DIETRICH TOOLBARS

All Dietrich Toolbars come standard with the following features:

- 3 Pt. Mount-Ready
- 8" Low Rate Chisel Sweeps
- Pin Adjustable Gauge Wheels
- Double Pivot w/ 6" Hose Swivel for 6" Swing Arm
- 6" Swing Arm and 6" Krohne Flowmeter with [2] 36' Cables
- Pig Discharge
- DOT Lighting

PART #	DESCRIPTION				LIST PRICE
24" SPACING					
B082415NT	15 FT	8 Units	24" Spacing	Rigid	Call for Pricing
B102420NT	20 FT	10 Units	24" Spacing	Folding	Call for Pricing
B122424NT	24 FT	12 Units	24" Spacing	Folding	Call for Pricing
B122424NTHD	24 FT	12 Units	24" Spacing	Folding [Heavy Duty]	Call for Pricing
B142428NT	28 FT	14 Units	24" Spacing	Folding	Call for Pricing
30" SPACING					
B083020NT	20 FT	8 Units	30" Spacing	Folding	Call for Pricing
B103025NT	25 FT	10 Units	30" Spacing	Folding	Call for Pricing
B123030NT	30 FT	12 Units	30" Spacing	Folding	Call for Pricing
B123030NTHD	30 FT	12 Units	30" Spacing	Folding [Heavy Duty]	Call for Pricing
B143035NT	35 FT	14 Units	30" Spacing	Folding	Call for Pricing
B143035NTHD	35 FT	14 Units	30" Spacing	Folding [Heavy Duty]	Call for Pricing

UPGRADE OPTIONS

PART #	DESCRIPTION	LIST PRICE
FLUX-6A-B	Flux Manifold Adder for 6"	\$ 1,708
82167-5HA	8" High Rate Chisel Sweep 5,000-10,000 GPA	\$ 0
82167-6HA	12" High Rate Chisel Sweep 10,000-15,000 GPA	\$ 46
60-2389A	12" Max Lift Chisel Sweep 20,000+ GPA	\$ 67
82085	Winged Drop Tube for 2.5" Hose	\$ 95
82087	Winged Drop Tube for 3" Hose	\$ 100

Don't see what your customer is looking for? Call one of our Equipment Specialists to field your custom request at 319.653.5080.

COMPETITOR SERIES TOOLBARS

All Competitor Toolbars come standard with the following features:

- Competitor Series Manifold
- 3" Spiralite Hose
- Brillion Shanks
- 6" Hose Swivel
- Splash Pans
- Z Arm

PART #	DESCRIPTION					LIST PRICE
24" SPACING						
B082415NT-CS	15 FT	8 Units	24" Spacing	4 Splash Pans	Rigid	Call for Pricing
B102420NT-CS	20 FT	10 Units	24" Spacing	4 Splash Pans	Folding	Call for Pricing
B122424NT-CS	24 FT	12 Units	24" Spacing	4 Splash Pans	Folding	Call for Pricing
B142428NT-CS	28 FT	14 Units	24" Spacing	6 Splash Pans	Folding	Call for Pricing
30" SPACING						
B083020NT-CS	20 FT	8 Units	30" Spacing	4 Splash Pans	Folding	Call for Pricing
B103025NT-CS	25 FT	10 Units	30" Spacing	6 Splash Pans	Folding	Call for Pricing
B123030NT-CS	30 FT	12 Units	30" Spacing	6 Splash Pans	Folding	Call for Pricing
B143035NT-CS	35 FT	14 Units	30" Spacing	6 Splash Pans	Folding	Call for Pricing

UPGRADE OPTIONS

PART #	DESCRIPTION	LIST PRICE
80046A-CS	Z Arm to Double Pivot [upgrade charge]	\$ 2,650
82024A-CS	CS Manifold to Timed Manifold [upgrade charge]	\$ 3,356
80075A-CS	3" Spiralite Hose to 3" Bumble Bee Hose [upgrade charge]	\$ 520
86000	Gauge Wheels Single Tire Requires 2 Tires	\$ 855
20-1502	Pig Discharge	\$ 1,708
82963A	Main Line Shut-Off Valve 6"	\$ 1,384
82167A-CS	Brillion Shank to Dietrich Shank [upgrade charge]	\$ 1,036
80072A-CS	CS Manifold to Farmstar Manifold [upgrade charge]	\$ 1,906
82962-24A	6" Krohne Flowmeter Includes [2] 24' Cables	\$ 8,579

Don't see what your customer is looking for? Call one of our Equipment Specialists to field your custom request at 319.653.5080.



TOP KICK HAY BARS | 30' - 50'

All Top Kick Hay Bars come standard with the following features:

- 3" Drop tubes
- Hydraulic mainline shut-off
- Hydraulic drive manifold
- Painted Steel Splash Pans
- Standard Z arm
- 82024A-H - Only available for the 30'

All heavy duty Top Kick Hay Bars come standard with the following features:

- Timed manifold
- Upgrade wings
- Sweeping T-Tube

All 45' and 50' Top Kick Hay Bars come standard with the following features:

- Dual folding wings
- Timed manifold

PART #	DESCRIPTION			LIST PRICE
32000	30 FT	35 FT Coverage	6 Splash Pans	\$ 14,790
32045	45 FT	50 FT Coverage	10 Splash Pans	\$ 20,286
32050	50 FT	55 FT Coverage	12 Splash Pans Heavy Duty	\$ 24,343

UPGRADE OPTIONS

PART #	DESCRIPTION	LIST PRICE
20-1502	Pig Discharge	\$ 1,708
82962-24A	6" Krohne Flowmeter Includes [2] 24' Cables	\$ 8,579
20-2876	6" Hose Swivel	\$ 1,935
82024A-H	12 Port Timed Manifold Adder	\$ 3,785
20-2667-A	Z Arm to Double Pivot	\$ 5,703
20-2568A	Stainless Steel Spash Pans [1 Pan]	\$ 312

Don't see what your customer is looking for? Call one of our Equipment Specialists to field your custom request at 319.653.5080.



TOP KICK HAY BARS | 60'

All 60' Top Kick Hay Bars come standard with the following features:

- 6" Flux manifold
- 6" Z-swing arm with single hose swivel
- 6" Hydraulic mainline & pig discharge valves
- Hydraulic wing fold functionality [Inner & outer wing sections fold independent of one another]
- Painted steel hooded splash pans
- 3" Bumblebee drop tube hose
- 3 pt. standard hitch
- Heavy-duty frame structure

PART #	DESCRIPTION	LIST PRICE
32060	60' Top Kick Hay Bar	\$ 43,680

UPGRADE OPTIONS

PART #	DESCRIPTION	LIST PRICE
82962-24A	6" Krohne Flowmeter	\$ 8,579
20-2667-A	Double Pivot Swing Arm	\$ 5,703
20-2554-A	Stainless Steel Hooded Splash Pan [QTY 20]	\$ 6,242
60-2545A	Camlock Manifold Plugs [QTY 6]	\$ 725

Don't see what your customer is looking for? Call one of our Equipment Specialists to field your custom request at 319.653.5080.



HOSE REELS

HOSE & FITTINGS

ACCESSORIES

TOOLBARS

HYBRIDBARS

TANKBARS

INJECTION UNITS

PUMP UNITS

MANURE PUMPS

TOWABLE SPLASH BARS

All Towable Splash Bars without flowmeters come standard with the following features:

- Manual gate valves
- Two styles of splash pan discharge
- Z-Swing Arm

Not compatible with flowmeters.

All Towable Splash Bars that are flowmeter-ready come standard with the following features:

- **Manual gate valves**
- **Two styles of splash pan discharge**
- **Z Arm**

PART #	DESCRIPTION	LIST PRICE
SPL-01	Without Flowmeter	\$ 8,114
SPL-01-FL	Flowmeter Ready Flowmeter not included in list price	\$ 8,899

UPGRADE OPTIONS

PART #	DESCRIPTION	LIST PRICE
82962-24A	6" Krohne Flowmeter Includes [2] 24' Cables	\$ 8,579
20-2836A	Adder Pipe Swivel & Swing Arm Updates	\$ 2,424
20-2857A	Adder Manual Gate Valve to Hydraulic Gate Valve	\$ 978
20-1502	Hydraulic Pig Discharge	\$ 1,708

Don't see what your customer is looking for? Call one of our Equipment Specialists to field your custom request at 319.653.5080.



DRIBBLE BARS

PART #	DESCRIPTION	LIST PRICE
DB1836	36 FT 18 Ports 36 Dribble Lines	\$ 26,181
DB2244	44 FT 22 Ports 44 Dribble Lines	\$ 32,378

UPGRADE OPTIONS

PART #	DESCRIPTION	LIST PRICE
20-1502	Pig Discharge	\$ 1,760
82962-24A	6" Krohne Flowmeter Includes (2) 24' Cables	\$ 8,579
20-2876	6" Hose Swivel	\$ 1,935

Don't see what your customer is looking for? Call one of our Equipment Specialists to field your custom request at 319.653.5080.



QUICK ATTACH SERIES

All Quick Attach applications come standard with the following features:

PART #	DESCRIPTION	LIST PRICE
109-008	Full Tank Mount Frame, Tank Plumbing, 3 PT. Swing Arm, 6" Krohne Flowmeter	\$ 38,583
109-007	Tank Only Tank Mount Frame, Tank Plumbing	\$ 7,035
109-006	Drag Line Only 3 PT. Swing Arm, 6" Krohne Flowmeter	\$ 31,547

TANK BRAND AND MODEL OPTIONS:

The following tank brands and models are compatible with the Quick Attach Series:

GEA HOULE

The following models = HOULE-LA

TANK MODEL	GALLONS	LENGTH
EL 84	6,000	20 FT.
EL 54	5,000	20 FT.
EL 54	5,350	20 FT.
EL 54	6,000	22 FT.
EL 48-4D	4,800	20 FT.
EL 48-4D	5,300	22 FT.
EL 48-6D	6,700	28 FT.
EL 48-6D	7,200	30 FT.
EL 48-6D	7,300	28 FT.
EL 48-8D	9,500	32 FT.
EL 48-8D	10,500	36 FT.

The following models = HOULE-SA

TANK MODEL	GALLONS	LENGTH
EL 66	3,600	16 FT.
EL 54	4,450	18 FT.
EL 48-4D	4,300	18 FT.
EL 48-6D	5,300	22 FT.
EL 48-6D	5,800	24 FT.
EL 48-6D	6,300	24 FT.

JAMESWAY

The following MAXXTRAC Duratech models = JW-4L

TANK MODEL	GALLONS	LENGTH
Tandem 4-Wheel	4,000	23 FT.
Tandem 4-Wheel	4,500	23 FT.
Tandem 4-Wheel	5,000	27 FT.
Tandem 4-Wheel	5,700	27 FT.
Tandem 6-Wheel	5,600	29 FT.
Tandem 6-Wheel	6,200	29 FT.
Tandem 6-Wheel	6,600	33 FT.
Tandem 6-Wheel	7,400	33 FT.
Quad 8-Wheel	8,500	41 FT.
Quad 8-Wheel	9,600	41 FT.
Quad 8-Wheel	10,200	43 FT.

Must have Jamesway linkage system.

Don't see what your customer is looking for? Call one of our Equipment Specialists to field your custom request at 319.653.5080.

HOSE REELS
HOSE & FITTINGS
ACCESSORIES
TOOLBARS
HYBRIDBARS
TANKBARS
INJECTION UNITS
PUMP UNITS
MANURE PUMPS

BAR & SPACING OPTIONS:

BAR MODEL #	DESCRIPTION	LIST PRICE
109-001	16' Coverage Width 8 Units on 24" Spacing	\$ 21,143
109-003	20' Coverage Width 8 Units on 30" Spacing	\$ 21,143
109-004	16' Coverage Width 10 Units on 20" Spacing	\$ 22,453
109-002	20' Coverage Width 10 Units on 24" Spacing	\$ 22,453
109-000	25' Coverage Width 10 Units on 30" Spacing	\$ 22,453

[ALL BAR MODEL PART NUMBERS INCLUDE: BAR, FLUX MANIFOLD, MANIFOLD LIFT ASSIST HANDLE, 3" BUMBLEBEE HOSE, AND 6" GATE VALVES]

DISCLAIMER: *Quick Attach applications that include tank bar components may be altered slightly from what is listed on page 1, tank model dependent.*

UNIT OPTIONS:

See Injection Units on pages 39 & 40

IMPORTANT: MANUFACTURER RECOMMENDATION

- 4.5° PHANTOM UNITS | 6-12 MPH
- 6° PHANTOM UNITS | UP TO 6 MPH

Don't see what your customer is looking for? Call one of our Equipment Specialists to field your custom request at 319.653.5080.



GROUND TRACKER SERIES

Specify tank brand by using the part # -JW [Jamesway] | -N [Nuhn] | -HY [Husky] | Houle is "Standard".
Phantom Units are sold separately.

PART #	DESCRIPTION	LIST PRICE
GT824	GT Series 8 Units 24" Spacing	\$ 20,209
GT830	GT Series 8 Units 30" Spacing	\$ 20,209
GT1024	GT Series 10 Units 24" Spacing	\$ 23,520
GT824B	GT Series 8 Non Swiveling Units 24" Spacing	\$ 12,020
GT830B	GT Series 8 Non Swiveling Units 30" Spacing	\$ 12,020
GT1024B	GT Series 10 Non Swiveling Units 24" Spacing	\$ 13,784
GT1030B	GT Series 10 Non Swiveling Units 30" Spacing	\$ 13,784

MANIFOLD AND PLUMBING OPTIONS

PART #	DESCRIPTION	LIST PRICE
82024AT	8 Port Tank Manifold	\$ 6,292
82024A-P	Plumbing with Valve [No Manifold]	\$ 4,901
82024A-P1	Plumbing without Valve [No Manifold]	\$ 3,662
82024A-00	Manifold Port Adder [+]	\$ 76
82024A-00	Manifold Port Deduct [-]	\$ 0

Don't see what your customer is looking for? Call one of our Equipment Specialists to field your custom request at 319.653.5080.

STANDARD

Specify tank brand by using the part # - JW [Jamesway] | -N [Nuhn] | -HY [Husky] | Houle is "Standard".
Phantom Units are sold separately.

PART #	DESCRIPTION			TRAVEL WIDTH	LIST PRICE
FCTB816-HD	8 Units	16" Spacing	Rigid	10.8 FT	\$ 7,005
18" SPACING					
FCTB818-HD	8 Units	18" Spacing	Rigid	12.3 FT	\$ 7,005
20" SPACING					
FCTB720-HD	7 Units	20" Spacing	Rigid	11.5 FT	\$ 7,636
FCTB820-HD	8 Units	20" Spacing	Rigid	12.8 FT	\$ 7,005
24" SPACING					
FCTB624-HD	6 Units	24" Spacing	Rigid	11.6 FT	\$ 7,005
30" SPACING					
FCTB530-HD	5 Units	30" Spacing	Rigid	12.1 FT	\$ 6,817
FCTBW530-HD	5 Units	30" Spacing	Rigid WIDE	12.1 FT	\$ 6,817
FCTB630-HD	6 Units	30" Spacing	Rigid	15.3 FT	\$ 7,005
FCTBW630-HD	6 Units	30" Spacing	Rigid WIDE	13 FT	\$ 7,005

MANIFOLD AND PLUMBING OPTIONS

PART #	DESCRIPTION	LIST PRICE
82024AT	8 Port Tank Manifold	\$ 6,292
82024A-P	Plumbing with Valve [No Manifold]	\$ 4,690
82024A-P1	Plumbing without Valve [No Manifold]	\$ 3,504
82024A-00	Manifold Port Adder [+]	\$ 73
82024A-00	Manifold Port Deduct [-]	\$ 0

Don't see what your customer is looking for? Call one of our Equipment Specialists to field your custom request at 319.653.5080.



DIETRICH

PART #				LIST PRICE
35500	Dietrich Rigid Bar [No Gauge Wheels, Includes WeldOn Off Sets]	5 Units	30" Centers	\$ 6,524
36600	Dietrich - Hi Mount [No Gauge Wheels, Includes WeldOn Off Sets]	6 Units	30" Centers	\$ 6,524
37700	Dietrich Folding Bar [Hydraulic Cylinders, Hose and Pin Adjustable Gauge Wheels]	7 Units	30" Centers	\$ 8,747

OPTIONS

PART #	DESCRIPTION	LIST PRICE
86000	Gauge Wheel [Each]	\$ 934

MANIFOLD AND PLUMBING OPTIONS

PART #	DESCRIPTION	LIST PRICE
82024ATD	8 Port Tank Manifold	\$ 6,292
82024A-PD	Plumbing with Valve [No Manifold]	\$ 5,120
82024A-PD1	Plumbing without Valve [No Manifold]	\$ 3,644
82024A-00	Manifold Port Adder [+]	\$ 76
82024A-00	Manifold Port Deduct [-]	\$ 0

Don't see what your customer is looking for? Call one of our Equipment Specialists to field your custom request at 319.653.5080.



HOSE REELS

HOSE & FITTINGS

ACCESSORIES

TOOLBARS

HYBRIDBARS

TANKBARS

INJECTION UNITS

PUMP UNITS

MANURE PUMPS

PHANTOM SERIES INJECTION UNITS

All Phantom injection units come standard with the following features:

- Mounting Plate
- U-bolts
- Main Arm
- Main Hub
- Main Blade
- Depth Gauge Ring
- Closure Arm
- Closure Mount Arm and Hub
- Closure Blade
- Drop Tube
- Assembly Hardware

TOOLBAR APPLICATION

PART #	DESCRIPTION	LIST PRICE
PHANTOM-6RH	6° Right Hand Single Closure	\$ 2,191
PHANTOM-6LH	6° Left Hand Single Closure	\$ 2,191
PHANTOM-6CEN16	6° Center Section 16" Spacing	\$ 4,382
PHANTOM-6CEN18	6° Center Section 18" Spacing	\$ 4,382

TANK BAR APPLICATION

PART #	DESCRIPTION	LIST PRICE
PHANTOM-4.5RH	4.5° Right Hand Single Closure	\$ 2,191
PHANTOM-4.5LH	4.5° Left Hand Single Closure	\$ 2,191
PHANTOM-6RH-TB	6° Right Hand Single Closure	\$ 2,191
PHANTOM-6LH-TB	6° Left Hand Single Closure	\$ 2,191
PHANTOM-4.5CEN16	4.5° Center Section 16" Spacing	\$ 4,382
PHANTOM-4.5CEN18	4.5° Center Section 18" Spacing	\$ 4,382
PHANTOM-6CEN16	6° Center Section 16" Spacing	\$ 4,382
PHANTOM-6CEN18	6° Center Section 18" Spacing	\$ 4,382

Important Manufacturers Note | 4.5° PHANTOM: 6-12 MPH | 6° PHANTOM: DO NOT EXCEED 6 MPH

PHANTOM SERIES REPLACEMENT PARTS

PART #	DESCRIPTION	LIST PRICE
80-1006	Phantom Main Blade	\$ 95
80-1001	Phantom Closure Blade	\$ 56
20-1927	4.5° Phantom Right Hand Closure Arm	\$ 225
20-1926	4.5° Phantom Left Hand Closure Arm	\$ 225
20-1560	6° Phantom Right Hand Closure Arm	\$ 245
20-1561	6° Phantom Left Hand Closure Arm	\$ 245

Don't see what your customer is looking for? Call one of our Equipment Specialists to field your custom request at 319.653.5080.

PHANTOM EDGE SERIES INJECTION UNITS

All Phantom Edge injection units come standard with the following features:

- Mounting Plate
- U-bolts
- Main Arm
- Main Hub
- Main Blade
- Depth Gauge Ring
- Closure Arm
- Closure Mount Arm and Hub
- Closure Blade
- Drop Tube
- Assembly Hardware

TOOLBAR APPLICATION

PART #	DESCRIPTION	LIST PRICE
PHANTOM-HR-6RH	6° Edge Series Right Hand Single Closure	\$ 2,425
PHANTOM-HR-6LH	6° Edge Series Left Hand Single Closure	\$ 2,425
PHANTOM-HR-6CEN16	6° Edge Series Center Section 16" Spacing	\$ 4,850
PHANTOM-HR-6CEN18	6° Edge Series Center Section 18" Spacing	\$ 4,850

TANK BAR APPLICATION

PART #	DESCRIPTION	LIST PRICE
PHANTOM-HR-4.5RH-TB	4.5° Edge Series Right Hand Single Closure	\$ 2,425
PHANTOM-HR-4.5LH-TB	4.5° Edge Series Left Hand Single Closure	\$ 2,425
PHANTOM-HR-6RH-TB	6° Edge Series Right Hand Single Closure	\$ 2,425
PHANTOM-HR-6LH-TB	6° Edge Series Left Hand Single Closure	\$ 2,425
PHANTOM-HR-4.5CEN16	4.5° Edge Series Center Section 16" Spacing	\$ 4,850
PHANTOM-HR-4.5CEN18	4.5° Edge Series Center Section 18" Spacing	\$ 4,850
PHANTOM-HR-6CEN16	6° Edge Series Center Section 16" Spacing	\$ 4,850
PHANTOM-HR-6CEN18	6° Edge Series Center Section 18" Spacing	\$ 4,850

Important Manufacturers Note | 4.5° PHANTOM: 6-12 MPH | 6° PHANTOM: DO NOT EXCEED 6 MPH

PHANTOM EDGE SERIES REPLACEMENT PARTS

PART #	DESCRIPTION	LIST PRICE
80-1156	Edge Series Main Blade	\$ 155
80-1151	Edge Series Closure Blade	\$ 70
20-3291	Edge Series Right Hand Closure Arm	\$ 395
20-3290	Edge Series Left Hand Closure Arm	\$ 395

Don't see what your customer is looking for? Call one of our Equipment Specialists to field your custom request at 319.653.5080.



INFINITY SERIES BOOM TRUCKS

All Infinity Series boom trucks come standard with the following features:

- Hydrostat Wet Kit
- Hydraulic Outriggers
- 400 Gallon Fuel Tank
- Bumper with Light Duty Receiver Hitch
- Front Passenger Side Boom Controls
- Pig Launcher with Hydraulic Gate Valve

PART #	DESCRIPTION	LIST PRICE
IS-65-H	65 FT Boom Length 18" Bazooka Submersible Up to 3300 GPM	\$ 260,779
IS-85-H	85 FT Boom Length 18" Bazooka Submersible Up to 3300 GPM	\$ 320,272

Higher GPM possible with 780 HP, C18 Engine option

ENGINES & ENGINE OPTIONS Use page # 50 - 52 - Requires at least a 600HP Engine

PUMP OPTIONS Use page # 54 - 55 - IS-65 Only pump options 6NHTB and 6819MP

CONTROLS OPTIONS Use page # 52

ADDITIONAL OPTIONS

PART #	DESCRIPTION	LIST PRICE
20-2800A	Upgrade to a 500 Gallon Fuel Tank	\$ 1,288
70-1429A-65	Wireless Hydraulic Boom Remote Control 65' Boom	\$ 11,010
70-1429A-85	Wireless Hydraulic Boom Remote Control 85' Boom	\$ 11,010
20-2625	Rear Mounted Controls	\$ 4,050
70-1384	Upgrade Bumper with Pintle Style Hitch	\$ 4,125
70-1383	Upgrade Bumper with Draw Bar Style Hitch	\$ 4,125

Don't see what your customer is looking for? Call one of our Equipment Specialists to field your custom request at 319.653.5080.



HOSE REELS

HOSE & FITTINGS

ACCESSORIES

TOOLBARS

HYBRIDBARS

TANKBARS

INJECTION UNITS

PUMP UNITS

MANURE PUMPS

FULL THROTTLE SERIES TRAILERS

All Full Throttle Single Axle Trailers come standard with the following features:

- 15,000 lb. Single Spring Axle
- Used Super Single
- Front Deck
- DOT Lighting
- 9L Engine recommended for 250 Gallon Pump Trailers

PART #	DESCRIPTION	LIST PRICE
79250-1	250 Gallon Pump Trailer	\$ 23,282
79500-1	500 Gallon Pump Trailer	\$ 29,365

TIRE OPTIONS

PART #	DESCRIPTION	LIST PRICE
14800A2	New Super Singles	\$ 1,620
80-1116A	Flotation Tires	\$ 2,390

ENGINES & ENGINE OPTIONS Use page # 50 - 52

PUMP OPTIONS Use page # 54 - 55

PLUMBING & VALVE OPTIONS Use page # 56

ADDITIONAL OPTIONS Use page # 52

PART #	DESCRIPTION	LIST PRICE
20-1192	Brake Option - Electric Over Hydraulic	\$ 3,580
70-1376	Trailer Tongue Toolbox 48" x 18.5"	\$ 1,058
70-1380-2	Hydraulic Downriggers with Pump Qty 2 Specify Front or Back of Trailer	\$ 6,602
70-1380-4	Hydraulic Downriggers with Pump Qty 4	\$ 11,628

Don't see what your customer is looking for? Call one of our Equipment Specialists to field your custom request at 319.653.5080.

FULL THROTTLE SERIES TRAILERS

All Full Throttle Tandem Axle Trailers come standard with the following features:

- 15,000 lb. Tandem Axles
- Used Super Single
- DOT Lighting
- Front Deck [Only on 500 Gallon Trailer]

PART #	DESCRIPTION	LIST PRICE
79500-3	500 Gallon Pump Trailer	\$ 41,619
79100	990 Gallon Pump Trailer	\$ 44,007

TIRE OPTIONS

PART #	DESCRIPTION	LIST PRICE
14800A	New Super Singles	\$ 3,386
14800A3	Floatation Tires	\$ 4,995

ENGINES & ENGINE OPTIONS Use page # 50 - 52

PUMP OPTIONS Use page # 54 - 55

PLUMBING & VALVE OPTIONS Use page # 56

ADDITIONAL OPTIONS Use page # 52

PART #	DESCRIPTION	LIST PRICE
20-1192	Brake Option - Electric Over Hydraulic	\$ 3,580
70-1376	Trailer Tounge Toolbox 48" x 18.5"	\$ 1,058
70-1380-2	Hydraulic Downriggers with Pump Qty 2 Specify Front or Back of Trailer	\$ 6,602
70-1380-4	Hydraulic Downriggers with Pump Qty 4	\$ 11,628

Don't see what your customer is looking for? Call one of our Equipment Specialists to field your custom request at 319.653.5080.



FULL THROTTLE SERIES TRAILERS | OUTLAW

All Full Throttle Series Outlaws come standard with the following features:

- 35' Triple Fold Pit Boom
- Used Super Single Tires
- Rear Hydraulic Outriggers
- [6] LED Lights
- 500 Gallon Fuel Tank
- Tandem [2] 15,000lb Spring Axles
- DOT Lighting
- Rear Axle Electric Over Hydraulic Brakes
- Front Hydraulic Jacks

PART #	MAX GPM		LIST PRICE
OUT-2200-B	2,200	15" Bazooka Farmstar Submersible	Call for pricing
OUT-2200-G	2,200	15" Bazooka Farmstar Submersible	Call for pricing
OUT-3000-B	3,000	18" Bazooka Farmstar Submersible	\$ 146,357
OUT-3000-G	3,000	18" Bazooka Farmstar Submersible	\$ 146,357
OUT-3500-B	3,500	18" Bazooka Farmstar Submersible	\$ 159,832
OUT-3500-G	3,500	18" Bazooka Farmstar Submersible	\$ 159,832

EXTENDED BOOM OPTION

PART #	DESCRIPTION	LIST PRICE
-EXT	Extended Reach Boom Adder	\$ 13,600

Add part number to end of Outlaw part number.
 Extended boom adds 6' to overall boom reach.
 Reaches over 18' slurry storage pit.

TIRE OPTIONS

PART #	DESCRIPTION	LIST PRICE
14800A	New Super Singles	\$ 3,386
14800A3	Flotation Tires	\$ 4,995

ENGINES & ENGINE OPTIONS Use page # 50 - 52

PUMP OPTIONS Use page # 54 - 55

Don't see what your customer is looking for? Call one of our Equipment Specialists to field your custom request at 319.653.5080.



PLUMBING & VALVE OPTIONS

Full Throttle Outlaws do not have an option for bypass. Standard 8" to 6" pig launcher.

PART #	DESCRIPTION	LIST PRICE
20-3190-HE	Pig Launcher and Clean Out Hydraulic Valve ECS Ready [For a 6819 Pump]	\$ 11,602
20-3191-HE	Pig Launcher and Clean Hydraulic Valve ECS Ready [For a 6NHTB Pump]	\$ 11,602

CONTROL OPTIONS Use page # 52

AGITATION OPTION Optional Upgrades

PART #	DESCRIPTION	LIST PRICE
20-3169	Bazooka Farmstar Hydraulic Controlled Agitation with Nozzle: 90 Degree Rotation	\$ 9,317

ADDITIONAL OPTIONS

PART #	DESCRIPTION	LIST PRICE
70-2083A	Wireless Outlaw Boom Remote ASM 12V	\$ 8,348
70-2084A	Wireless Outlaw Boom Remote ASM 24V	\$ 8,348
20-1192-FB	Front Axle Electric Over Hydraulic Brakes	\$ 4,274
70-1376	Trailer Tongue Toolbox 48" x 18.5"	\$ 1,058



HOSE REELS

HOSE & FITTINGS

ACCESSORIES

TOOLBARS

HYBRIDBARS

TANKBARS

INJECTION UNITS

PUMP UNITS

MANURE PUMPS

STANDARD BOOSTER PUMP TRAILERS

All Standard Booster Pump Trailers come standard with the following features:

- 250 Gallon Integrated Full Tank
- 10,000 lb. Torflex Axle

PART #	DESCRIPTION	LIST PRICE
79000-1	250 Gallon Booster Pump Trailer Used Super Singles Tires	\$ 19,319
79000-2	250 Gallon Booster Pump Trailer New Super Singles Tires	\$ 21,123

JOHN DEERE ENGINE OPTIONS

PART #	DESCRIPTION	LIST PRICE
75400R	Remanned John Deere Tier 3 Engine 400 HP	\$ 94,709
75425S4	John Deere Tier 4 Engine 425 HP	\$ 113,965

ENGINE & PLUMBING OPTIONS

PART #	DESCRIPTION	LIST PRICE
70-1608	WIKA: Pressure Transmitter S-11 KIT [-14 to 500 PSI]	\$ 975
70-1612	Murphy: PXT-K-600 Pressure Transmitter 4-20ma [0 to 600 PSI]	\$ 890
20-2858	Gauge Isolator [Complete] w/ Diaphragm - For Manual Gauge	\$ 138
390330029	2.5" Manual Pressure Gauge [0 to 300 PSI]	\$ 60
20-2859	Gauge Isolator [Complete] w/ Diaphragm - For Digital Gauge	\$ 138
81245L	[4] LED Flood Lights	\$ 955
81253A	12 Volt DC Electric Prime [Operates from Power Unit Battery]	\$ 4,443

ENGINE CONTROL OPTIONS

PART #	DESCRIPTION	LIST PRICE
81266	NEXUS Engine Control System Includes 2 Digital Pressure Gauges, Antenna, Stand, and 1 Year Paid Subscription	\$ 18,500
81246-V2	ECS Electronic Control System Includes 2 Digital Pressure Gauges, Antenna, Stand, and 1 Year Paid Subscription	\$ 14,500
75-CP	Murphy Tec-10 Powercore Engine Control Panel	\$ 3,288
310-000	Digital Pressure Monitoring [DPM] System	\$ 3,503

See page 55 for DPM System upgrade options.

CORNELL PUMP OPTIONS

PART #	TYPE	DESCRIPTION	MAX GPM	SHUT-OFF HEAD	TRIM	IMPELLER	LIST PRICE
4NHTB-EM2	Standard	5" Suction 4" Discharge	2,000	203 PSI	17.5"	3"	\$ 17,256
6NHTB-19-EM2	Standard	8" Suction 6" Discharge	3,580	271 PSI	19.5"	2"	\$ 27,347
6NHTC-EM2	Standard	8" Suction 6" Discharge	4,200	288 PSI	19.5"	3"	\$ 28,687
6819MP-HYB-EM2	Hybrid	8" Suction 6" Discharge	3,800	268 PSI	19.5"	2"	\$ 40,432
6819MPC-HYB-EM2	Hybrid	8" Suction 6" Discharge	4,325	282 PSI	19.5"	3"	\$ 42,455
6819MP-CAC-EM2	White Iron	8" Suction 6" Discharge	3,800	268 PSI	19.5"	2"	\$ 42,084
6819MPC-CAC-EM2	White Iron	8" Suction 6" Discharge	4,325	282 PSI	19.5"	3"	\$ 44,082

PLUMBING & VALVE OPTIONS

All plumbing comes with the following:

- 8" Pump - 10" HSG male fittings
- 6" Pump - 8" HSG male fittings
- 4" Pump - 6" HSG male fittings
- HE: Hydraulically controlled stainless Orbinox valves [ECS ready]
- HN: Hydraulically controlled stainless Orbinox valves [Not ECS ready]
- MS: Manually controlled bi-directional valves

PART #	PUMP	DESCRIPTION	ECS CONTROLLED [-HE]	HYDRAULICALLY CONTROLLED [-HN]	MANUALLY CONTROLLED [-MS]
20-3222	4NHTB	Pig Launcher and Bypass Clean Out	\$ 18,353	\$ 15,178	\$ 11,007
20-3223	4NHTB	Bypass Only	\$ 13,533	\$ 10,607	\$ 7,109
20-3224	4NHTB	Pig Launcher Only	\$ 11,061	\$ 8,339	\$ 5,575
20-3219	6NHTB	Pig Launcher and Bypass Clean Out	\$ 20,717	\$ 17,542	\$ 13,333
20-3220	6NHTB	Bypass Only	\$ 16,162	\$ 13,236	\$ 9,641
20-3221	6NHTB	Pig Launcher Only	\$ 11,602	\$ 8,880	\$ 6,116
20-3216	6819	Pig Launcher and Bypass Clean Out	\$ 20,717	\$ 17,542	\$ 13,333
20-3217	6819	Bypass Only	\$ 16,162	\$ 13,236	\$ 9,641
20-3218	6819	Pig Launcher Only	\$ 11,602	\$ 8,880	\$ 6,116

Don't see what your customer is looking for? Call one of our Equipment Specialists to field your custom request at 319.653.5080.



JOHN DEERE TIER 4

Lead time 12 - 16 Weeks | Pump Requirements: 9L - SAE 2 | 13.5L - SAE1

PART #	DESCRIPTION		LIST PRICE
75425S4	425 HP	9 Liter	\$ 113,965
75500S4	500 HP	13.5 Liter	\$ 147,277
75600S4	600 HP	13.5 Liter	\$ 155,265
75600S4-SRPTO	600 HP	13.5 Liter	\$ 177,986

-SRPTO : REAR AUX FOR HYDROSTAT

JOHN DEERE REMANNED TIER 3

Pump Requirements: 9L - SAE 2 | 13.5L - SAE1

PART #	DESCRIPTION		LIST PRICE
75400R	400 HP	9 Liter	\$ 94,709
75600R	600 HP	13.5 Liter	\$ 141,910
75600R-SRPTO	600 HP	13.5 Liter	\$ 166,410

-SRPTO : REAR AUX FOR HYDROSTAT

Don't see what your customer is looking for? Call one of our Equipment Specialists to field your custom request at 319.653.5080.

HOSE REELS

HOSE & FITTINGS

ACCESSORIES

TOOLBARS

HYBRIDBARS

TANKBARS

INJECTION UNITS

PUMP UNITS

MANURE PUMPS



CAT TIER 4

Lead time 16-24 Weeks | Pump Requirements: SAE1

PART #	DESCRIPTION		LIST PRICE
77455S	455 HP	C9.3	\$ 127,719
77455S-SRPTO	455 HP	C9.3	\$ 133,557
77577S	577 HP	C13	\$ 175,197
77577S-SRPTO	577 HP	C13	\$ 180,526
77755S	755 HP	C18	\$ 249,410
77755S-SRPTO	755 HP	C18	\$ 261,777

-SRPTO : REAR AUX FOR HYDROSTAT

CAT REMANNED TIER 3

Warranty: 2 Years or 4,000 Hours | Engines are completely rebuilt from the block up with all new Genuine Caterpillar parts no after market or used components.

Pump Requirements: SAE1

PART #	DESCRIPTION		LIST PRICE
77660-R	660 HP	C18	\$ 159,376
77660R-SRPTO	660 HP	C18	\$ 183,876
77780-R	780 HP	C18	\$ 174,569
77780R-SRPTO	780 HP	C18	\$ 198,579

-SRPTO : REAR AUX FOR HYDROSTAT

Don't see what your customer is looking for? Call one of our Equipment Specialists to field your custom request at 319.653.5080.



HOSE REELS

HOSE & FITTINGS

ACCESSORIES

TOOLBARS

HYBRIDBARS

TANKBARS

INJECTION UNITS

PUMP UNITS

MANURE PUMPS

ENGINE OPTIONS

All clutch assemblies come standard with the following features:

- Driveline
- Lever
- Extension
- Handle
- Hardware

PART #	DESCRIPTION	LIST PRICE
70-1673	Rear PTO Aux Pump Drive	\$ 25,000
75-300A	300-400 HP SAE 2 Clutch Assembly	\$ 6,066
75-500A	500 HP SAE 1 Clutch Assembly	\$ 7,572
75-600A	600 HP SAE 1 Clutch Assembly	\$ 10,006
75-012	Residential Muffler	\$ 2,034
75-090	Auxiliary Hydraulic Power Drive for 300-400 HP John Deere	\$ 3,350
75-013	Auxiliary Hydraulic Power Drive for 500-600 HP John Deere	\$ 3,350
70-1608	WIKA: Pressure Transmitter S-11 KIT [-14 to 500 PSI]	\$ 975
70-1612	Murphy: PXT-K-600 Pressure Transmitter 4-20ma [0 to 600 PSI]	\$ 890
20-2858	Gauge Isolator [Complete] w/ Diaphragm - Manual Gauge	\$ 138
20-2859	Gauge Isolator [Complete] w/ Diaphragm - Digital Gauge	\$ 138
81245L	[4] LED Flood Lights	\$ 955
81253A	12 Volt DC Electric Prime [Operates from Power Unit Battery]	\$ 4,443

ENGINE CONTROL OPTIONS

PART #	DESCRIPTION	LIST PRICE
81266	NEXUS Engine Control System Includes 2 Digital Pressure Gauges, Antenna, Stand, and 1 Year Paid Subscription	\$ 18,500
81246-V2	ECS Electronic Control System Includes 2 Digital Pressure Gauges, Antenna, Stand, and 1 Year Paid Subscription	\$ 14,500
75-CP	Murphy Tec-10 Powercore Engine Control Panel	\$ 3,288

Don't see what your customer is looking for? Call one of our Equipment Specialists to field your custom request at 319.653.5080.

ENGINE CONTROL OPTIONS CONTD.

All Digital Pressure Monitoring [DPM] Systems come standard with the following features:

- Pressure Meter
- 5' or 10' Main Harness
- [2] Pressure Transmitters
- Rear Mounting Brackets

PART #	DESCRIPTION	LIST PRICE
310-000	Digital Pressure Monitoring [DPM] System	\$ 3,503

UPGRADE OPTIONS

PART #	DESCRIPTION	LIST PRICE
70-2141	Power Harness 5'	\$ 67
70-2142	Power Harness 10'	\$ 77
300-001	Signal Siren w/ 2 Pin Harness 5'	\$ 124
300-002	Signal Siren w/ 2 Pin Harness 10'	\$ 128
300-003	Red LED Warning Light w/ 2 Pin Harness 5'	\$ 144
300-004	Red LED Warning Light w/ 2 Pin Harness 10'	\$ 148
300-005	Fuel Shut Off w/ 2 Pin Harness 5'	\$ 77
300-006	Fuel Shut Off w/ 2 Pin Harness 10'	\$ 81

Can choose up to two of the safety feature upgrade options listed above.

Don't see what your customer is looking for? Call one of our Equipment Specialists to field your custom request at 319.653.5080.



STANDARD

Hardened ductile impeller, wear plate, volute, back plate.

PART #	MOUNTING TYPE	SUCTION	DISCHARGE	MAX GPM	SHUT-OFF HEAD	TRIM	IMPELLER	LIST PRICE
4414T-FM	Frame Mount	4"	4"	1,300	109 PSI	14"	3"	\$ 12,262
4514T-FM	Frame Mount	5"	4"	2,010	171 PSI	14"	3"	\$ 13,920
4NHTB-FM	Frame Mount	5"	4"	2,000	203 PSI	17.5"	3"	\$ 15,832
4NHTB-EM1	Engine Mount SAE 1	5"	4"	2,000	203 PSI	17.5"	3"	\$ 18,024
4NHTB-EM2	Engine Mount SAE 2	5"	4"	2,000	203 PSI	17.5"	3"	\$ 17,256
6NHTB-19-FM	Frame Mount	8"	6"	3,580	271 PSI	19.5"	2"	\$ 25,925
6NHTB-19-EM1	Engine Mount SAE 1	8"	6"	3,580	271 PSI	19.5"	2"	\$ 28,117
6NHTB-19-EM2	Engine Mount SAE 2	8"	6"	3,580	271 PSI	19.5"	2"	\$ 27,347
6NHTC-FM	Frame Mount	8"	6"	4,200	288 PSI	19.5"	3"	\$ 27,263
6NHTC-EM1	Engine Mount SAE 1	8"	6"	4,200	288 PSI	19.5"	3"	\$ 29,446
6NHTC-EM2	Engine Mount SAE 2	8"	6"	4,200	288 PSI	19.5"	3"	\$ 28,687

HYBRID

White iron impeller and wear plate: Ductile iron volute and back plate

PART #	MOUNTING TYPE	SUCTION	DISCHARGE	MAX GPM	SHUT-OFF HEAD	TRIM	IMPELLER	LIST PRICE
4517MP-HYB-FM	Frame Mount	5"	4"	1,750	208 PSI	17.5"	3"	\$ 28,993
4517MP-HYB-EM1	Engine Mount SAE 1	5"	4"	1,750	208 PSI	17.5"	3"	\$ 31,204
4517MP-HYB-EM2	Engine Mount SAE 2	5"	4"	1,750	208 PSI	19.5"	3"	\$ 30,445
6819MP-HYB-FM	Frame Mount	8"	6"	3,800	268 PSI	19.5"	3"	\$ 39,017
6819MP-HYB-EM1	Engine Mount SAE 1	8"	6"	3,800	268 PSI	19.5"	2"	\$ 41,181
6819MP-HYB-EM2	Engine Mount SAE 2	8"	6"	3,800	268 PSI	19.5"	2"	\$ 40,432
6819MPC-HYD-FM	Frame Mount	8"	6"	4,325	282 PSI	19.5"	3"	\$ 41,040
6819MPC-HYB-EM1	Engine Mount SAE 1	8"	6"	4,325	282 PSI	19.5"	3"	\$ 43,214
6819MPC-HYB-EM2	Engine Mount SAE 2	8"	6"	4,325	282 PSI	19.5"	3"	\$ 42,455
81022MP-HYB-EM1	Engine Mount SAE 1	10"	8"	9,000	258 PSI	22"	4"	\$ 56,375

Don't see what your customer is looking for? Call one of our Equipment Specialists to field your custom request at 319.653.5080.

HOSE REELS

HOSE & FITTINGS

ACCESSORIES

TOOLBARS

HYBRIDBARS

TANKBARS

INJECTION UNITS

PUMP UNITS

MANURE PUMPS



WHITE IRON

White iron impeller and wear plate, volute, and back plate.

PART #	MOUNTING TYPE	SUCTION	DISCHARGE	MAX GPM	SHUT-OFF HEAD	TRIM	IMPELLER	LIST PRICE
4517MP-CAC-FM	Frame Mount	5"	4"	1,750	208 PSI	17.5"	3"	\$ 29,918
6819MP-CAC-FM	Frame Mount	8"	6"	3,800	268 PSI	19.5"	2"	\$ 40,678
6819MP-CAC-EM1	Engine Mount SAE 1	8"	6"	3,800	268 PSI	19.5"	2"	\$ 42,823
6819MP-CAC-EM2	Engine Mount SAE 2	8"	6"	3,800	268 PSI	19.5"	2"	\$ 42,084
6819MPC-CAC-FM	Frame Mount	8"	6"	4,325	282 PSI	19.5"	3"	\$ 42,685
6819MPC-CAC-EM1	Engine Mount SAE 1	8"	6"	4,325	282 PSI	19.5"	3"	\$ 44,821
6819MPC-CAC-EM2	Engine Mount SAE 2	8"	6"	4,325	282 PSI	19.5"	3"	\$ 44,082
81022MP-CAC-FM	Frame Mount	10"	8"	9,000	258 PSI	22"	4"	\$ 55,671
81022MP-CAC-EM1	Engine Mount SAE 1	10"	8"	9,000	258 PSI	22"	4"	\$ 57,937

Don't see what your customer is looking for? Call one of our Equipment Specialists to field your custom request at 319.653.5080.



FULL THROTTLE SERIES TRAILERS | PLUMBING OPTIONS

All plumbing come standard with the following features:

- 45° elbow
- 8" Pump plumbing with 10" HSG male fittings
- 6" Pump plumbing with 8" HSG male fittings
- 4" Pump plumbing with 6" HSG male fittings

PART #	PUMP	DESCRIPTION	HYDRAULIC VALVES ECS READY USE [-HE]	HYDRAULIC VALVES NOT ECS READY USE [-HN]	MANUAL STAINLESS STEEL VALVES USE [-MS]	MANUAL CAST VALVES USE [-MC]
20-3214	6NHTB	Pig Launcher and Bypass Clean Out	\$ 20,717	\$ 17,542	\$ 13,333	\$ 11,049
20-3215	6NHTB	Bypass Only	\$ 16,163	\$ 13,236	\$ 9,641	\$ 7,628
20-3212	6819	Pig Launcher and Bypass Clean Out	\$ 20,717	\$ 17,542	\$ 13,333	\$ 11,049
20-3213	6819	Bypass Only	\$ 16,163	\$ 13,236	\$ 9,641	\$ 7,628
20-3226	6819	Pig Launcher Only	\$ 14,480	\$ 9,813	\$ 8,688	\$ 7,187
20-3210	81022	Pig Launcher and Bypass Clean Out	\$ 27,484	\$ 24,303	NA	NA
20-3211	81022	Bypass Only	\$ 23,848	\$ 20,921	NA	NA

HE: Plumbing with hydraulically operated stainless Orbinox bi-directional valves. Operated through ECS/ Nexus [sold separately].

HN: Plumbing with hydraulically operated stainless Orbinox bi-directional valves. Push button operation, cannot use with ECS/Nexus.

MS: Plumbing with manually operated stainless Orbinox bi-directional valves.

MC: Plumbing with manually operated cast iron bi-directional valves.

Don't see what your customer is looking for? Call one of our Equipment Specialists to field your custom request at 319.653.5080.

HOSE REELS

HOSE & FITTINGS

ACCESSORIES

TOOLBARS

HYBRIDBARS

TANKBARS

INJECTION UNITS

PUMP UNITS

MANURE PUMPS

HYDRAULIC WET KITS

PART #	DESCRIPTION	LIST PRICE
70-1370	60 GPM @ 4,750 PSI Hydrostat Wet Kit Draws 100 HP to 125 HP Includes: Hydrostat Pump, Oil Reservoir, Filters, Controller, Oil Cooler, Relief Valve. Use With Force Feeder part # 70-1139 70-1129 70-1138-DF	\$ 26,192

Hydrostat pump GPM adjusts automatically to maximize flow of all submersible sizes, one system fits all submersible pumps. Requires Rear PTO option on Engine

FORCE FEEDERS

For use with Hydraulic Wet Kits [70-1370]

PART #	DESCRIPTION	LIST PRICE
70-1139	15" Nuhn Submersible Pump ≤ 3,000 GPM Without Motor White Iron HD Bearing	\$ 9,293
70-1363	Motor 108cc Hydraulic Bent Axis	\$ 4,944
70-1129	17" Nuhn Submersible Pump 3,300-3,500 GPM Without Motor White Iron HD Bearing	\$ 13,073
20-3394	18" Bazooka Farmstar Submersible Pump 3,300-3,500 GPM Without Motor White Iron HD Bearing	\$ 13,073
70-1360	Motor 182cc Hydraulic Bent Axis	\$ 8,550
70-1138	20.5" Nuhn Submersible Pump 4500+ GPM Without Motor White Iron HD Bearing	\$ 14,526
70-1362	Motor 250cc Hydraulic Bent Axis White Iron HD Bearing	\$ 12,016

Don't see what your customer is looking for? Call one of our Equipment Specialists to field your custom request at 319.653.5080.



HOSE REELS

HOSE & FITTINGS

ACCESSORIES

TOOLBARS

HYBRIDBARS

TANKBARS

INJECTION UNITS

PUMP UNITS

MANURE PUMPS

TRENCH PAL

All Trench Pals come standard with the following features:

- [2] 25 ft hoses

PART #	DESCRIPTION	LIST PRICE
1681	Trench Pal	\$ 3,287

PIT PAL

All Pit Pals come standard with the following features:

- [2] 25 ft hoses

PART #	DESCRIPTION	LIST PRICE
1680-06	Hydraulic Pump Pit Pal	\$ 3,714

PTO BOOSTER PUMPS

PART #	DESCRIPTION	LIST PRICE
97000	4414T Booster Pump 6" Fittings	\$ 24,916
97500	4414T Booster Pump Bypass	\$ 27,204
97200	4414T Booster Pump Pig Launcher	\$ 28,076
97560	4414T Booster Pump Bypass w/ Pig Launcher	\$ 29,100
97400	4NHTB Booster Pump 6" Fittings	\$ 39,076
97450	4NHTB Booster Pump Bypass	\$ 41,097
97460	4NHTB Booster Pump Bypass w/ Pig Launcher	\$ 42,691
97470	4NHTB Booster Pump Pig Launcher	\$ 42,114
97300	4517MP Booster Pump Pig Launcher	\$ 59,650
97350	4517MP Booster Pump Bypass	\$ 61,102

- A 150 HP tractor is recommended for 4414T booster pumps
- A 250 HP tractor is required for 4NHTB and 4517MP booster pumps

Don't see what your customer is looking for? Call one of our Equipment Specialists to field your custom request at 319.653.5080.

MANTIS LAGOON STICK

PART #	DESCRIPTION	LIST PRICE
MANTIS-3000	Mantis Stick 54' w/ 10" Plumbing Approx. 3,000 GPM 10" HSG	\$ 52,150
MANTIS-3500	Mantis Stick 54' w/ 10" Plumbing Approx. 3,500 GPM 10" HSG	\$ 57,150
MANTIS-4500	Mantis Stick 54' w/ 12" Plumbing Approx. 4,500 GPM 12" HSG	\$ 63,575

Layflat hose recommended for Mantis to pump. Hose not included.

WET KIT

Mantis-3000 requires Wet Kit 70-1370. Pair with 6NHTB or 6819 MP for a maximum of 3000 GPM through 8" Hose. Do not use with 10" Hose.

Mantis-3500 requires Wet Kit 70-1370. Pair with any 6" pump - 6NHTB, 6819MP, 6819MPC. 600HP minimum. For 8" or 10" Hose.

Mantis-4500 requires Wet Kit 70-1370. Pair with 6819MPC pump or 81022MP. 750 HP required. For 10" and 12" Hose.

HYDRAULIC HOSES & COUPLINGS

Mantis-3000 and Mantis-3500 requires 1" High Pressure Hydraulic Hose

70-1530 : Includes - One 25' of 1" High Pressure Hydraulic Hose and 1.25" High Pressure Hydraulic Couplings.

Requires two hoses with couplings

List per \$1,498

Mantis-4500 requires 1.25" High Pressure Hydraulic Hose

70-1531 : Includes - One 25' of 1.25" High Pressure Hydraulic Hose and

1.25" High Pressure Hydraulic Couplings.

Requires two hoses with couplings

List per \$ 2,225

Don't see what your customer is looking for? Call one of our Equipment Specialists to field your custom request at 319.653.5080.



WOLVERINE SERIES AGITATION BOAT

All Wolverine Series Agitation Boats come standard with the following features:

- [4] Goodyear Tires, 23.1-26, 12-ply [68" DIA x 24" Wide]
- Double-Ended Steering Cylinders w/ Tie Rods
- High-Torque Planetary Wheel Drives
- [2] 20" Diameter, AR 400 Steel, 5-Bladed Ragless Propellers
- Custom-Made Prop Bearing Housing w/ Hardened Nickel-Plated, 2.25" Diameter Shaft
- Gear Oil Bath w/ Quadruple Lip Seal Arrangement
- 20-Gallon Cyclone Hydraulic Oil Tank
- Light-Weight 150-Gallon Poly Fuel Tank
- Perkins 7.1L 302 HP, Tier 4 Engine
- Eaton Remote Control w/ Display showing Engine, Vitals, Hydraulic System Status, & Propeller Position Information.
- Integrated GPS Technology w/ Point-to-Point, Cover, and Anchor Modes
- 18" BF White Iron Submersible
- Front Gun | 6" Hard Pipe to a HSG Coupler, Reduced to a 5" Hose

PART #	DESCRIPTION	LIST PRICE
401-0010	Wolverine Series Agitation Boat	\$ 267,679

Call for pricing for the no pump/gun Wolverine Series model.

UPGRADE OPTIONS

PART #	DESCRIPTION	LIST PRICE
400-003	Wolverine Series Agitation Boat Trailer	\$ 35,087
20-2960A	Pintle Hitch Adder For Boat Trailer	\$ 345
400-001	Wolverine Crane Lift Kit Includes 10' Lifting Sling, 4' Spreader Bar, Bolt-On Lifting Lug, 6.5 & 12 Ton Anchor Shackles, and 6X6 U-Bolts	\$ 2,242
400-010	Wolverine Series Agitation Boat Fenders [4]	\$ 1,404

The Wolverine Series agitation boat trailer comes standard with the following features and specifications:

- Length - 32' 6"
- Width - 11' 2"
- Height - 2'
- Electric Brakes
- [4] Dual Tires - [8 Total]
- [4] Tie-Down Straps w/ Winch Bar
- Built-In Rear Ramps & Storage
- Tandem 12K Springs on 16K Axles [24K Total]
- Combo Clevis Hitch
- DOT Lighting

Don't see what your customer is looking for? Call one of our Equipment Specialists to field your custom request at 319.653.5080.

RIPTIDE SERIES VERTICAL PIT PUMP

All Riptide Series Vertical Pit Pumps come standard with the following features:

- Agitation-Only | Manual Nozzle Cranks
- [1] 6" Knife Gate Valve w/ Upper Plumbing and Bolt-On Blocking Plate
- Knife Gate Valve Position Indicator
- [2] Independent Agitation Nozzles
1 Lower and 1 Upper | 3.5" Outlets
- Agitation Nozzle Direction Indicators
- Dual, 6" ID Vertical Pipes
- 18" Bazooka Farmstar Submersible Pump
- 5 Blade Impeller (AR construction)
- Dual Outlet Pump Housing (AR construction)
- Gearbox Direct Drive Lubrication Pump
- Attached Jack Stands
- Adjustable Pump Stand-Offs

PART #	DESCRIPTION	LIST PRICE
402-0000	Riptide Vertical Pit Pump Agitation-Only 8' - 9' Pit Depth	\$ 23,236

***Agitation-only models include an always open, lower nozzle. (Must add 400-006 to base model to pump out.)*

STANDARD OPTIONS | MUST CHOOSE ONE

PART #	DESCRIPTION	LIST PRICE
400-004	3-PT. Short Hitch	\$ 0
400-005	3-PT. Long Hitch	\$ 432

***Dual-category hitch pins accommodate both CAT 2 and CAT 3, 3-Pt. hitches.*

UPGRADE OPTIONS

PART #	DESCRIPTION	LIST PRICE
400-006	Discharge Conversion Kit Compatible w/ Short & Long Hitch Models	\$ 2,618
400-007	Discharge Elbow Compatible w/ Short & Long Hitch Models	\$ 305

***Include these upgrade options in addition to 402-0000 for a force-feeding, transferring, or tank filling solution.*

All Riptide Vertical Pit Pump discharge conversion kits include the following:

- 6" Knife Gate Valve (For Lower Nozzle)
- 8" Knife Gate Valve (For Single 8" Discharge)
- Discharge Nipple and Cap
- Hydraulic Hose and Fittings

TECHNICAL SPECIFICATIONS:

- Maximum Flow - 4020 GPM
- Maximum RPM - 1000 RPM
- Horsepower - 150-180 Recommended
- Large 1000 PTO Drive Shaft
- 1.75" Diameter (20 Spline)

See next page for agitation-only and discharge model illustrations.

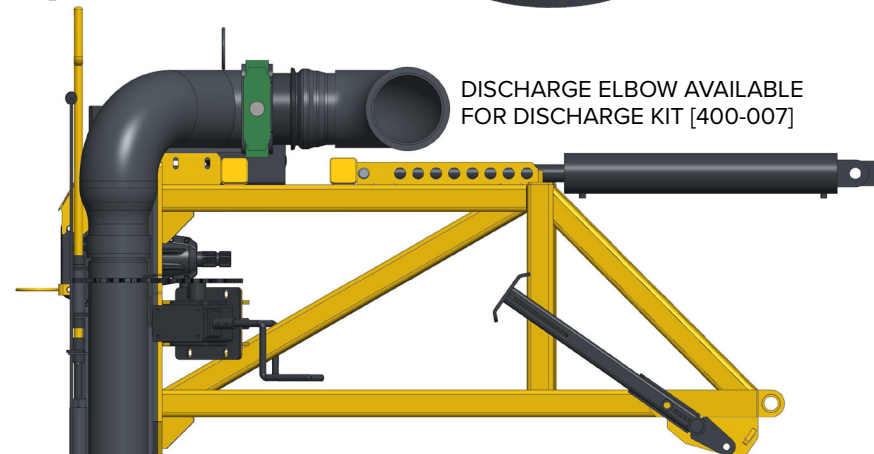
Don't see what your customer is looking for? Call one of our Equipment Specialists to field your custom request at 319.653.5080.



RIPTIDE VERTICAL PIT PUMP SERIES CONTD.

AGITATION-ONLY [402-0000]

[402-0000] W/ DISCHARGE KIT [400-006]



Don't see what your customer is looking for? Call one of our Equipment Specialists to field your custom request at 319.653.5080.

HOSE REELS

HOSE & FITTINGS

ACCESSORIES

TOOLBARS

HYBRIDBARS

TANKBARS

INJECTION UNITS

PUMP UNITS

MANURE PUMPS

